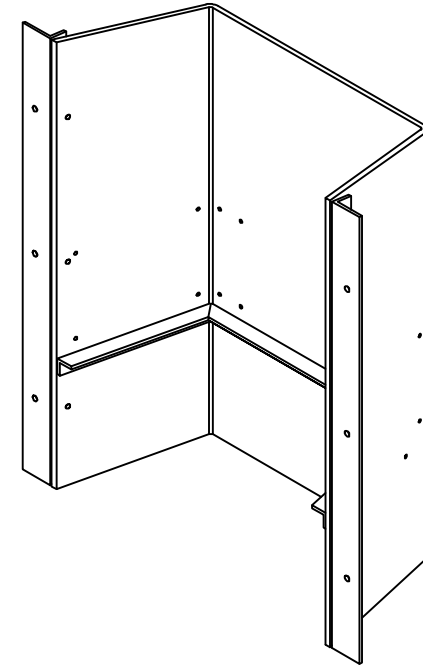
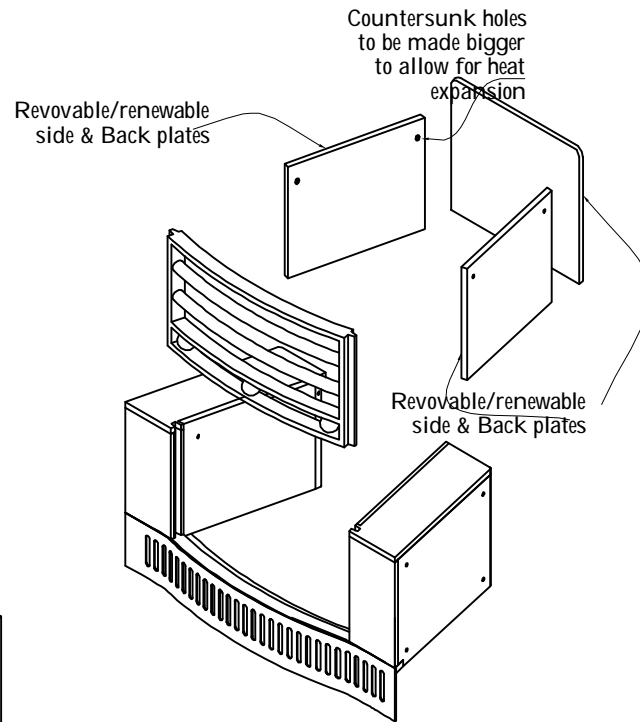
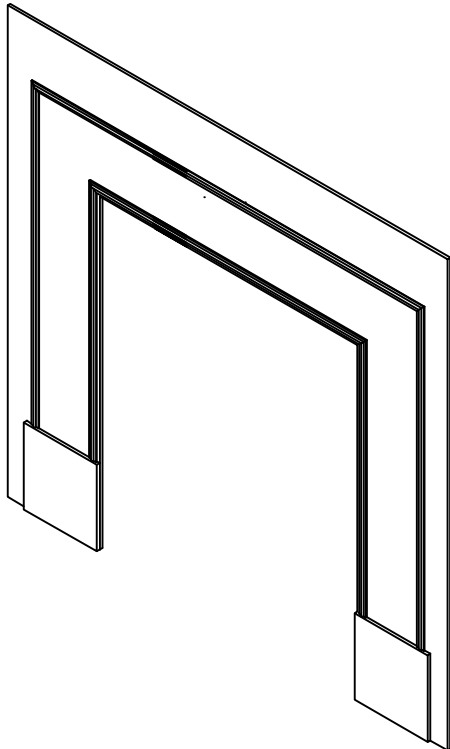


CUBITT 36_SteelBack
 Date: 08/06/2015 Scale: NTS @ A4
DRAWING NO.31870r1D



CUBITT 36_SteelBack exploded sections

Date: 08/06/2015 Scale: NTS @ A4
DRAWING NO.31870r1D