

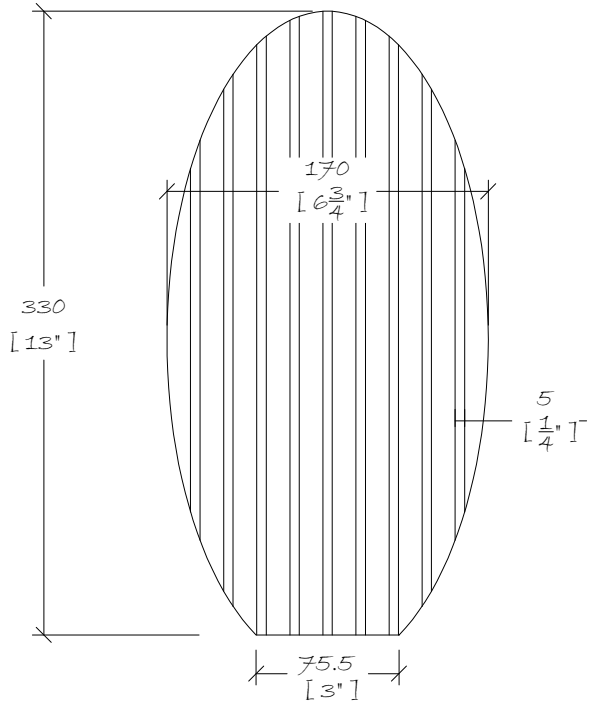
CDM Regulations - Design Risk Assessment
 The size and shape of individual stones for this project have been designed to satisfy the overall design requirements for the building, bill of quantities or specific project specification.
 All persons handling and installing such stones should be aware that there are risks associated with this type of work, which cannot be designed out.

© CHESNEYS 2017

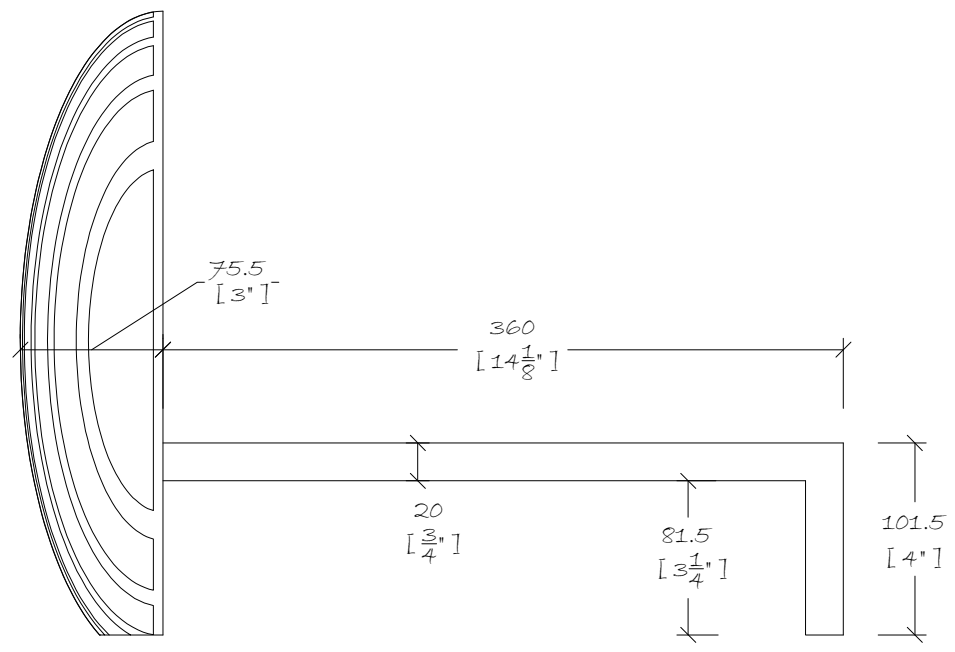
CHESNEYS

HEAD OFFICE:
 194-202 BATTERSEA PARK ROAD, BATTERSEA, LONDON
 TELEPHONE: +44 (0) 20 7627 1410
 WEB SITE: WWW.CHESNEYS.CO.UK
 E MAIL: SALES@CHESNEYS.CO.UK

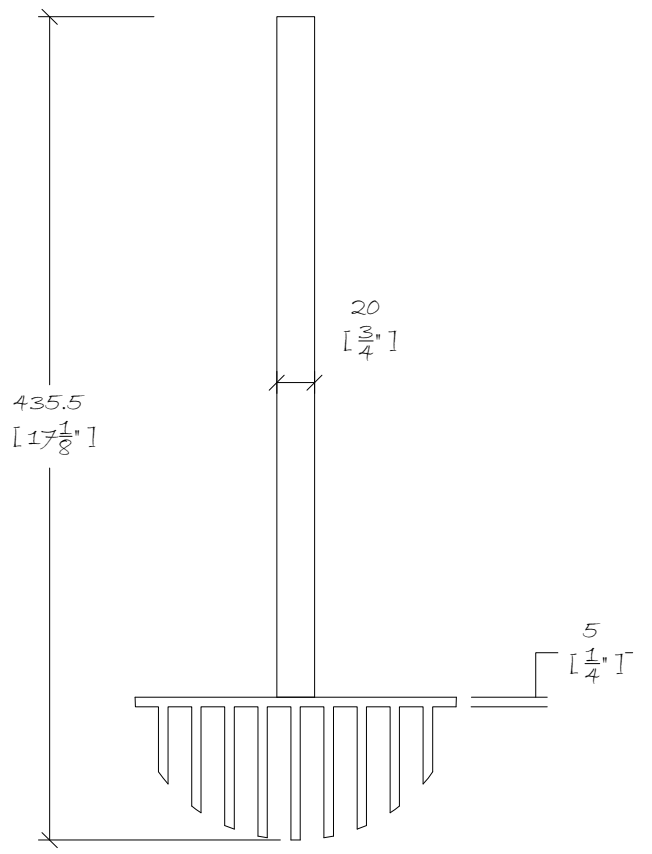
Notes:



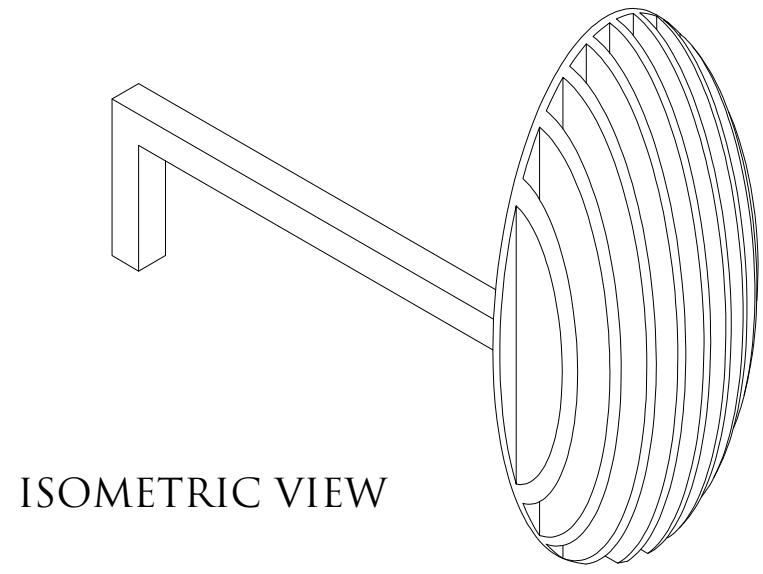
FRONT ELEVATION



SIDE ELEVATION



PLAN



ISOMETRIC VIEW

Collection:		KELLY HOPPEN COLLECTION	
Andiron:		HUNTER FIRE DOGS	
Material:		SATIN BRASS FINISH	
Drawn by:		LUIS VELA	
Date:	Scale:	1:4 @ A3	
SOR/POR:			
Drawing No.:		Rev:	