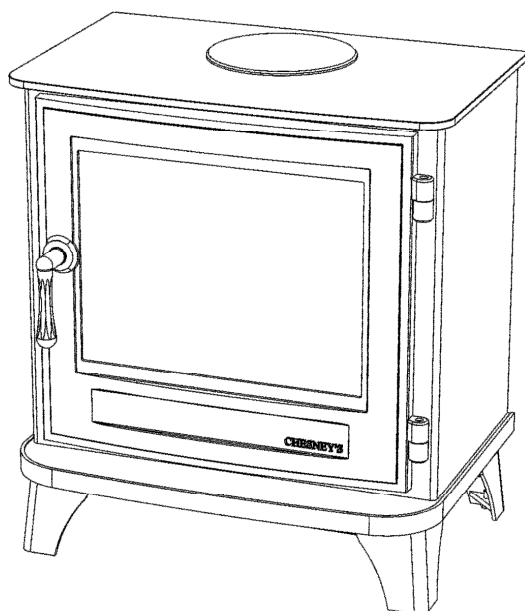


CHESNEYS

FIRESIDE



Electric Stove Range

USER AND INSTALLATION INSTRUCTIONS

Please read these instructions before installation and use and keep handy for future reference.

The appliance should only be installed by an appropriately competent person. This product is only suitable for well insulated rooms or occasional use. The product meets the essential requirements of the EEC Directives 2006/95/EC and 2004/108/EC. These directives have been met by compliance with

EN60335-2-30, EN55014, EN60555-2, EN60555-3

INTRODUCTION

Chesneys electric fires come with the logs fully assembled and ready to use. The logs are real and are fixed in a twig and wood debris fire bed. Please read these instructions before installation or use and keep handy for future reference.

IMPORTANT SAFETY ADVICE

When using electrical appliances basic precautions should always be followed to reduce the risk of fire or electrical shock.

ELECTRICITY SUPPLY

Warning: This appliance must be earthed and must be used on an AC supply only and the voltage marked on the heater must correspond to the

		230V	-	240V
Nominal Heat Output	<i>P nom</i>	1.8 kW	-	2.0 kW
Minimum Heat Output	<i>P min</i>	1.0 kW	-	1.1 kW
Maximum Continuous Heat Output	<i>P max.c</i>	1.8 kW	-	2.0 kW

With mechanical thermostat room temperature control.

supply voltage.

OVERHEATING

In order to avoid overheating, do not cover or place material or objects in front of the heater grill, or obstruct the air circulation around the sides or rear of the heater.

SITING THE APPLIANCE

Do not use outdoors. Do not use in the immediate vicinity of a swimming pool, a bathroom or in any damp area. Do not locate immediately below a power point. Do not position near furniture, curtains or other combustible material. Do not place on deep pile carpets or on long hair rugs.

POWER AND ISOLATION POINT

The appliance must be positioned so that the plug or point of isolation is accessible and the supply lead must be kept away from the front of the heater. In the event of a fault or when not required for long periods, unplug or isolate the appliance. All external wiring to the appliance must

comply with IEE regulations.

USE OF EXTERNAL CONTROLS

The appliance must not be used with a program controller, a timer or any other device that switches the appliance on automatically.

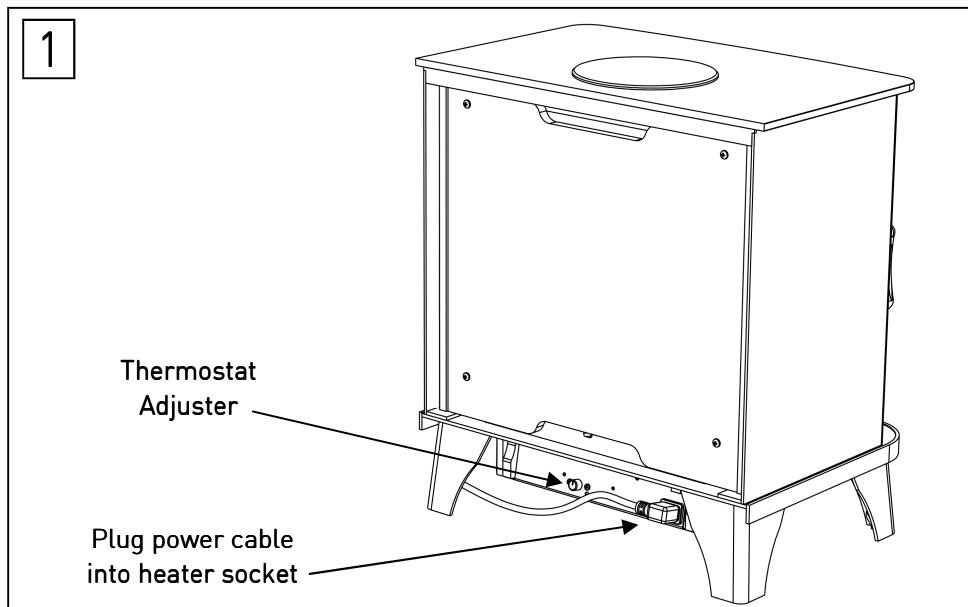
USER SAFETY

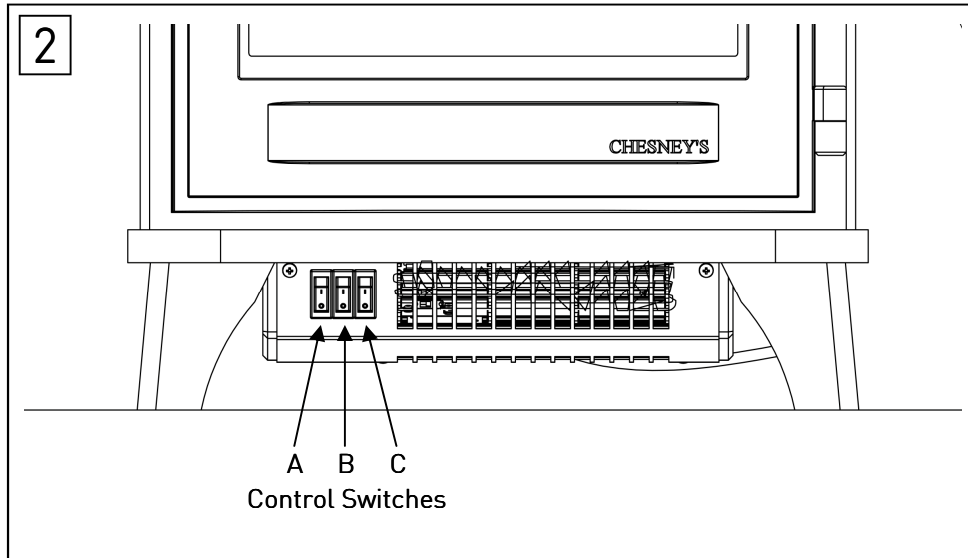
The appliance is not intended for use by persons with reduced physical, sensory or mental capabilities, or lack of experience and knowledge, unless they have been given supervision or instruction concerning the use of the appliance by a person responsible for their safety. Children should be supervised to ensure they do not play with the appliance.

INSTALLATION

This stove is designed to be free standing and is normally positioned near a wall sitting on a level surface. If installing the stove in an existing chimney, the chimney flue must be sealed off. It is also important the chimney is rain proof and the stove chamber is known to be dry.

Plug the power cable into the connector at the back of the heater. Note the position of the thermostat adjuster and ensure it can be reached when the stove is installed. Place the stove against the wall and connect the





power cable to your electricity supply. The stove is now ready to use (fig1).

CONTROLS

The control switches are located at the front of the heater and the thermostat adjuster is at the rear of the heater (fig2&3).

FLAME EFFECT

Switch (A) operates the flame effect and can be used independently of the fan heater (fig2).

HALF HEAT SETTING

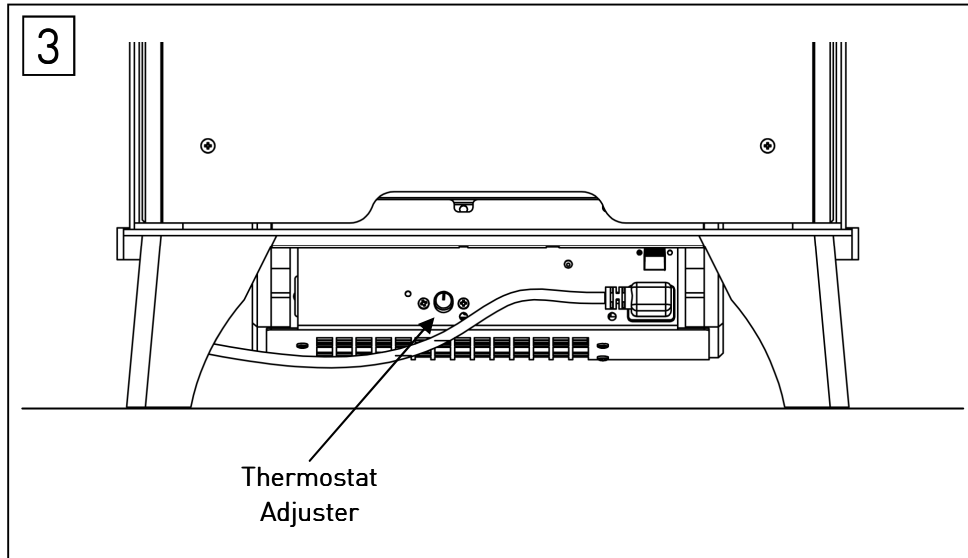
With switch (A) on, switch (B) turns the fan on and puts the heater on half heat (fig2).

FULL HEAT SETTING

With switch (A) and (B) on, switch (C) puts the heater on full heat (fig2).

SETTING THE THERMOSTAT

Put the heater on the full heat setting. Turn the thermostat adjuster (located at the rear of the heater) fully to the right to warm the room rapidly. When the room temperature has reached the desired level, turn the thermostat knob back slowly until you hear the thermostat



just click off. The heater will then maintain the room temperature at the chosen level. Apart from initial fine tuning the thermostat is designed and positioned not for continual resetting (fig3).

Note: Should your heater fail to come on, this may be due to the room temperature being higher than the thermostat setting.

THERMAL SAFETY CUT-OUT

A thermal safety cut-out is incorporated in the fan heater to prevent damage due to overheating. This can happen if the heater outlet was restricted in any way or if the chimney flue has not been blocked off effectively.

If the cut-out operates, switch the appliance off and allow approximately 10 minutes before reconnecting. Before switching the heater back on remove any obstruction that may be restricting the heat outlet, then continue normal operation.

Caution: In order to avoid a hazard due to inadvertent resetting of the thermal cut-out, this appliance must not be connected to an external switching device, such as a timer, or connected to a switch that is regularly

switched on and off by the utility.

GUARANTEE

The appliance is guaranteed for 2 years from the date of purchase against faulty materials or workmanship. If your appliance is found to be defective within the guarantee period we will send you the required replacement part. All replaceable parts are plug-in components.

The guarantee does not cover reimbursement of any third party repair or replacement costs that we haven't agreed to in writing, nor does it cover compensation or consequential losses, stress and inconvenience arising from delays caused by factors outside our reasonable control.

The guarantee is subject to the provisions that the appliance has been correctly installed and used in accordance with these instructions and has not been misused, modified or inexpertly repaired. Your statutory rights are not affected.

TO REPLACE THE HEATER CASSETTE

Unplug or turn off the power supply to the appliance. Remove the two screws at the front of the heater. Carefully withdraw the heater and unplug the low voltage jack plug in the heater and the mains lead at the rear of the heater. Fit the replacement heater cassette in reverse order.

RECYCLING

Do not dispose electrical products with household waste. Check with your local authority for advise and recycle where facilities exist.

