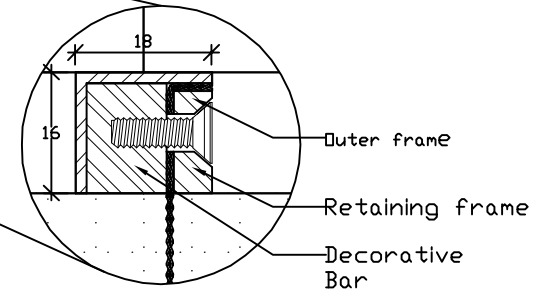
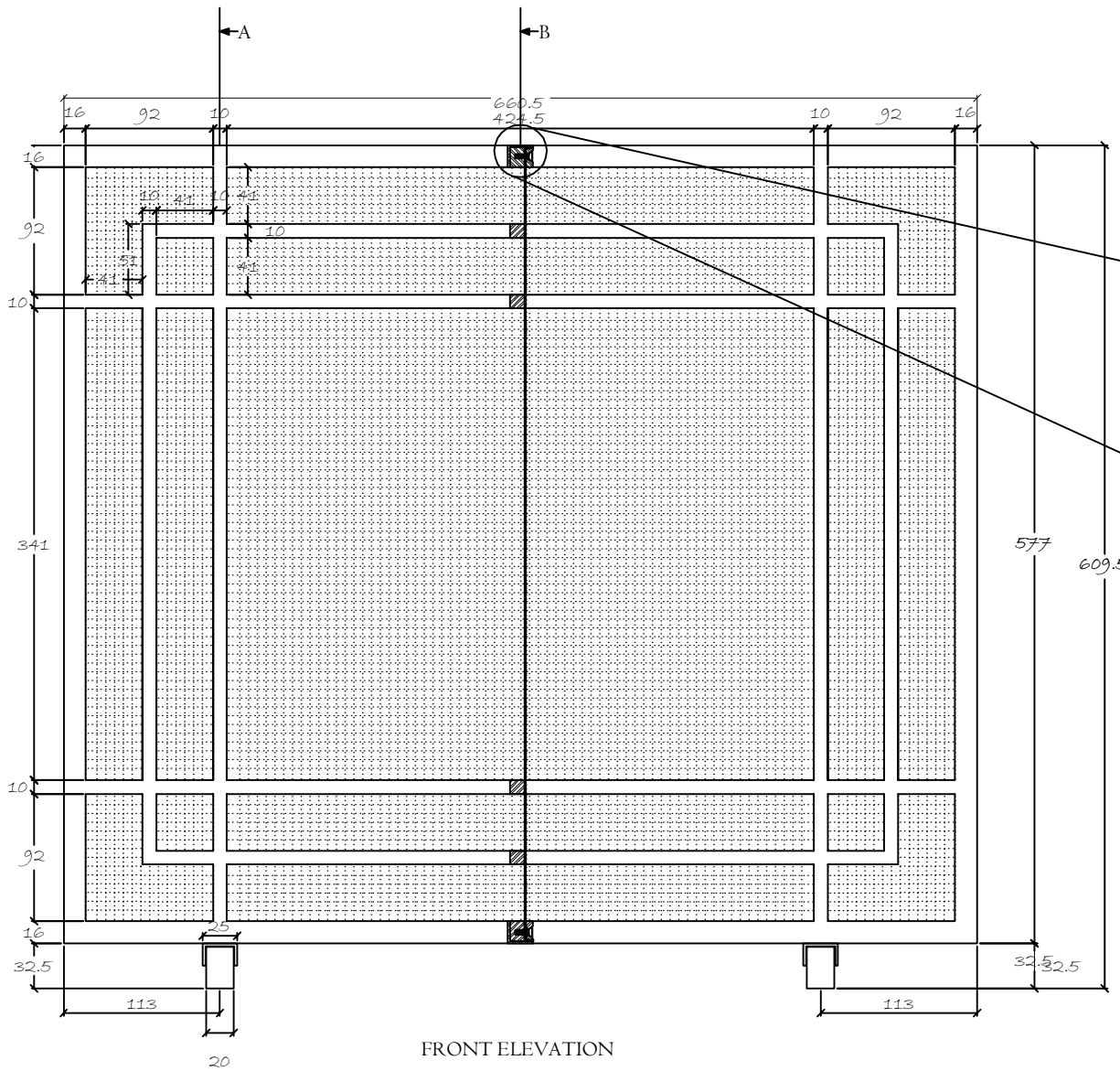
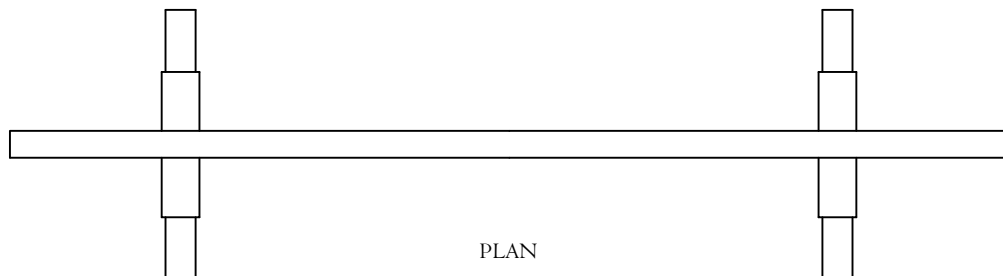


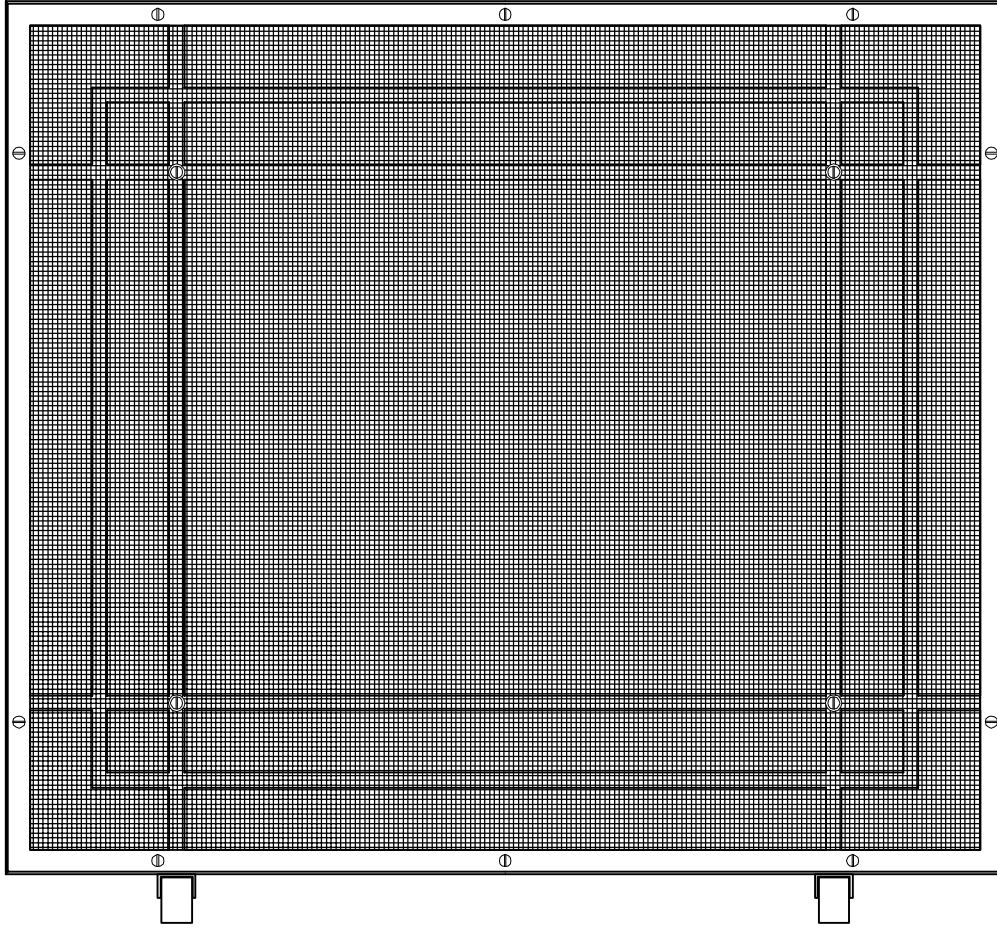
The Brompton Fire Screen 26"
 Date: 19/09/2011 Scale: 1:5 @ A4
 DRAWING NO. I4013r2/I



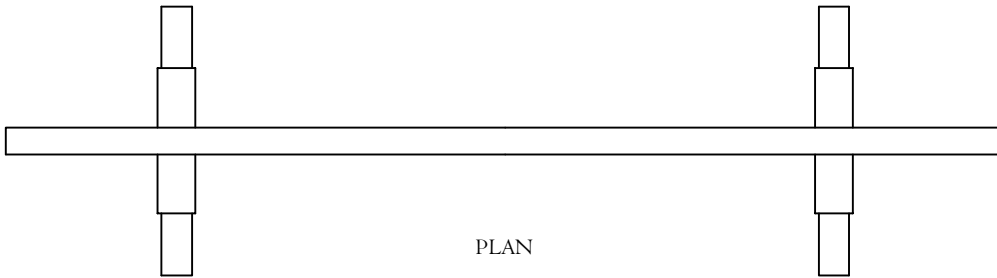
Decorative Bar to be tack welded to outer decorative frame



The Brompton Fire Screen 26"
 Date: 19/09/2011 Scale: 1:5 @ A4
 DRAWING NO. I4013r2/2



BACK ELEVATION



PLAN

The Brompton Fire Screen 26"

Date: 19/09/2011 Scale: 1:5 @ A4

DRAWING NO. I4013r2/3