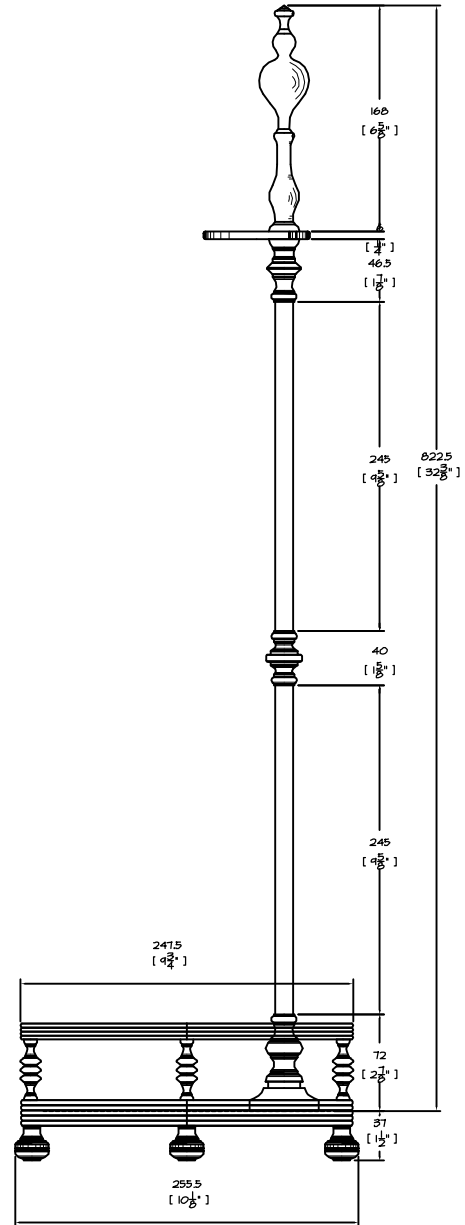
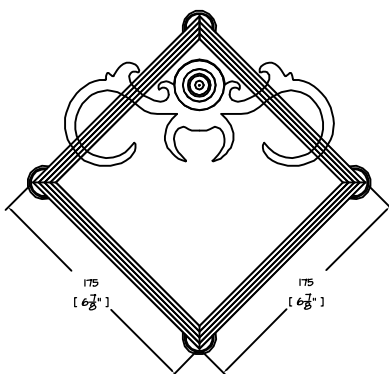


FRONT ELEVATION



SIDE ELEVATION



PLAN

Ridings Tool Stand

Date: 28/05/2010 Scale: NTS@A4

DRAWING NO.30102r2