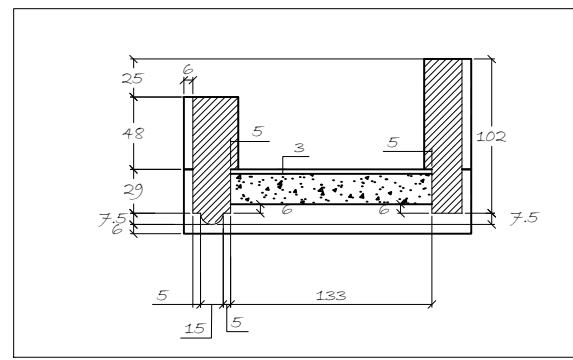


JAMB SECTION (RIGHT)
SCALE 1:5



CLIENT:	
CDM Regulations - Design Risk Assessment The size and shape of individual stones for this project have been designed to satisfy the overall design requirements for the building, bill of quantities or specific project specification. All persons handling and installing such stones should be aware that there are risks associated with this type of work, which cannot be designed out.	
Limestones & Marble are a natural material and may vary in texture, color and veining intensity. Please consider a dimensional tolerance of 1/8"	
© CHESNEYS 2021	
<p>CHESNEYS</p> <p>HEAD OFFICE: 194-202 BATTERSEA PARK ROAD, BATTERSEA, LONDON TELEPHONE: +44 (0) 20 7627 1410 WEB SITE: WWW.CHESNEYS.CO.UK E MAIL: SALES@CHESNEYS.CO.UK</p>	
SURROUND:	
<p>THE AVEBURY</p>	
MATERIAL:	
<p>CARRARA MARBLE (FRAME ONLY)</p>	
FINISH:	
<p>HONED</p>	
SPECIAL NOTES:	
MANTEL WEIGHTS:	
DRAWN BY:	
<p>LUIS VELA</p>	
DATE:	SCALE:
11/06/2021	1:8 @ A3
INVOICE NUMBER:	
DRAWING NO.:	REV: