

CLIENT:

CDM Regulations - Design Risk Assessment
 The size and shape of individual stones for this project have been designed to satisfy the overall design requirements for the building, bill of quantities or specific project specification.
 All persons handling and installing such stones should be aware that there are risks associated with this type of work, which cannot be designed out.

Limestones & Marble are a natural material and may vary in texture, color and veining intensity.
 Please consider a dimensional tolerance of $\frac{1}{8}$

© CHESNEYS 2022

CHESNEYS

HEAD OFFICE:
 194-196 BATTERSEA PARK ROAD, BATTERSEA, LONDON
 TELEPHONE: +44 (0) 20 7627 1410
 WEB SITE: WWW.CHESNEYS.CO.UK
 E MAIL: SALES@CHESNEYS.CO.UK

SURROUND:

**THE
 WALTON**

ROOM:

MATERIAL:

FINISH:

SPECIAL NOTES:

MANTEL WEIGHTS:

0.0982 M3

DRAWN BY:

LUIS VELA

DATE:

28/04/2022

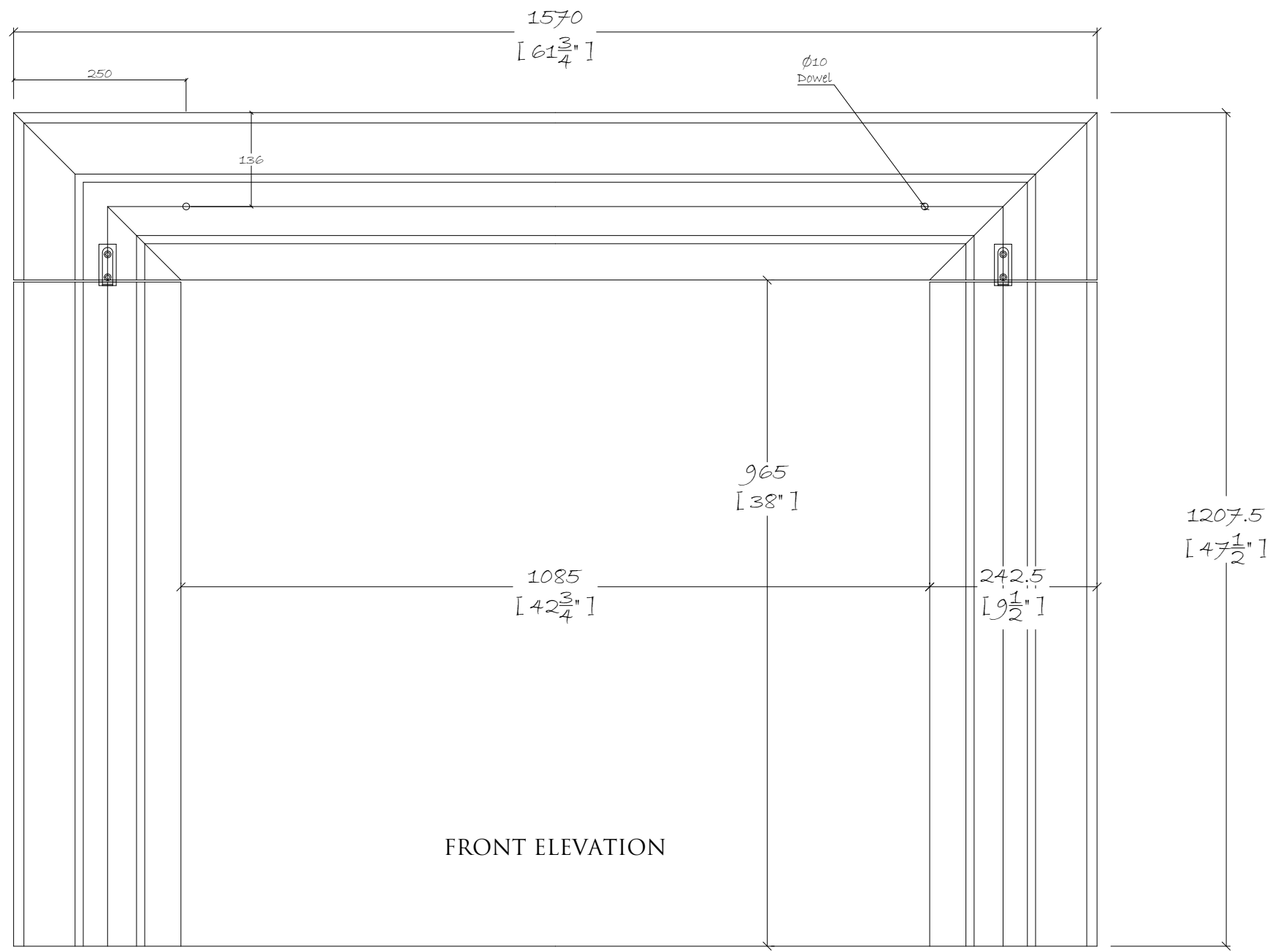
SCALE:

1:8 @ A3

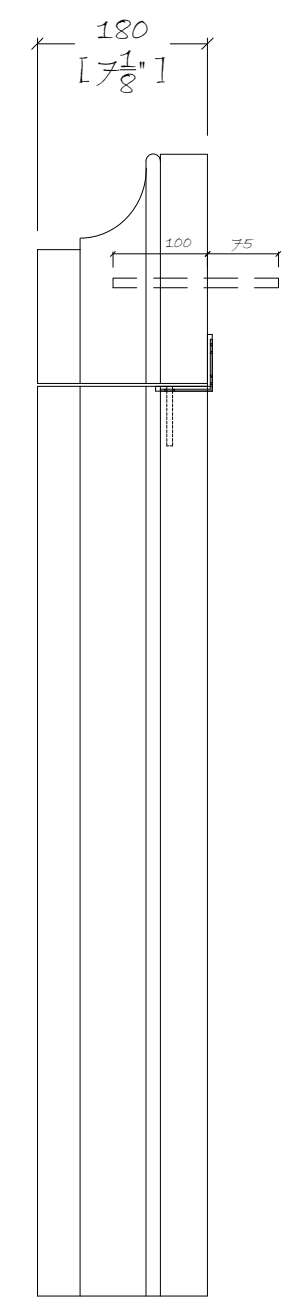
INVOICE NUMBER:

DRAWING NO.:

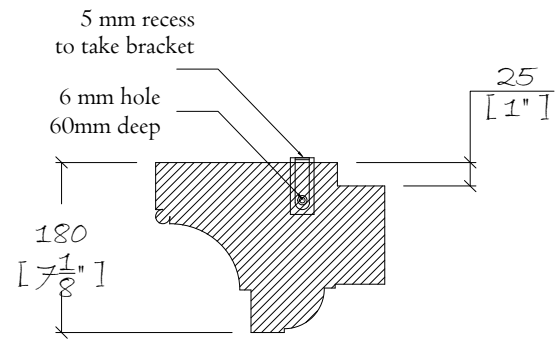
REV:



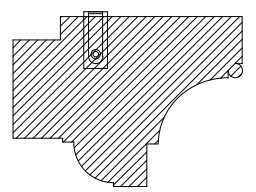
FRONT ELEVATION





SIDE ELEVATION



PLAN



BRACKETS & DOWELS CHART

	X 2 PIECES
	X 2 PIECES (175 MM X Ø 10 MM)

CLIENT:

CDM Regulations - Design Risk Assessment
 The size and shape of individual stones for this project have been designed to satisfy the overall design requirements for the building, bill of quantities or specific project specification.
 All persons handling and installing such stones should be aware that there are risks associated with this type of work, which cannot be designed out.

Limestones & Marble are a natural material and may vary in texture, color and veining intensity.
 Please consider a dimensional tolerance of $\pm \frac{1}{8}$

© CHESNEYS 2022

CHESNEYS
 HEAD OFFICE:
 194-196 BATTERSEA PARK ROAD, BATTERSEA, LONDON
 TELEPHONE: +44 (0) 20 7627 1410
 WEB SITE: WWW.CHESNEYS.CO.UK
 E MAIL: SALES@CHESNEYS.CO.UK

SURROUND:
THE WALTON

ROOM:

MATERIAL:

FINISH:

SPECIAL NOTES:

MANTEL WEIGHTS:
0.0982 M3

DRAWN BY:
LUIS VELA

DATE: 28/04/2022 SCALE: 1:8 @ A3

INVOICE NUMBER:

DRAWING NO.: REV: