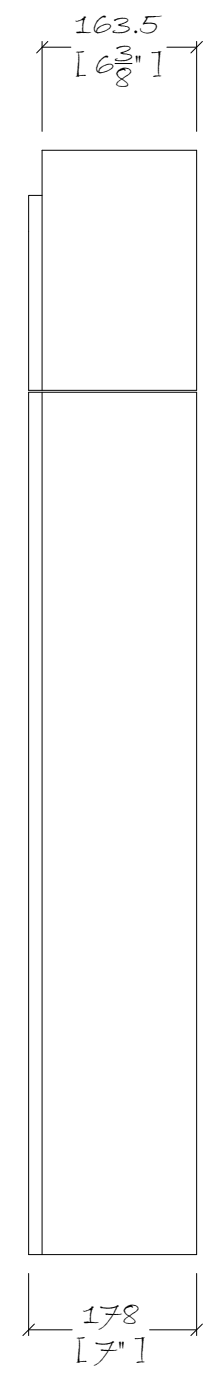
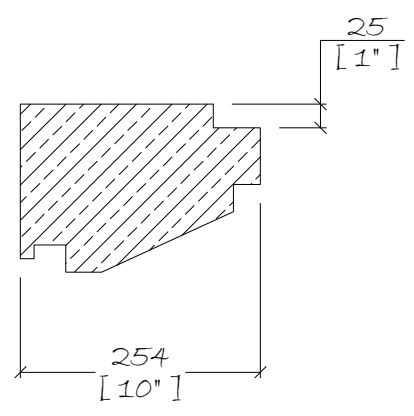


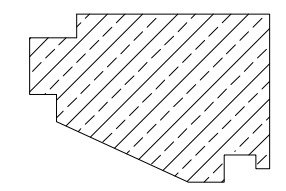
FRONT ELEVATION



SIDE ELEVATION



PLAN



CLIENT:

CDM Regulations - Design Risk Assessment
The size and shape of individual stones for this project have been designed to satisfy the overall design requirements for the building, bill of quantities or specific project specification.

All persons handling and installing such stones should be aware that there are risks associated with this type of work, which cannot be designed out.

Limestones & Marble are a natural material and may vary in texture, color and veining intensity.
Please consider a dimensional tolerance of \pm

© CHESNEYS 2022

CHESNEYS

HEAD OFFICE:
194-196 BATTERSEA PARK ROAD, BATTERSEA, LONDON
TELEPHONE: +44 (0) 20 7627 1410
WEB SITE: WWW.CHESNEYS.CO.UK
E MAIL: SALES@CHESNEYS.CO.UK

SURROUND:

**THE
MONROE**

MATERIAL:

FINISH:

SPECIAL NOTES:

MANTEL WEIGHTS (m3):

JAMB / EACH: 0.033 M3
HEADER: 0.062 M3

TOTAL: 0.128 M3

DRAWN BY:
LUIS VELA

DATE: 13/06/2022
SCALE: 1:8 @ A3

INVOICE NUMBER:

DRAWING NO.:
REV: R1