

CLIENT:

LUNA

CDM Regulations - Design Risk Assessment

The size and shape of individual stones for this project have been designed to satisfy the overall design requirements for the building, bill of quantities or specific project specification.

All persons handling and installing such stones should be aware that there are risks associated with this type of work, which cannot be designed out.

Limestones & Marble are a natural material and may vary in texture, color and veining intensity. Please consider a dimensional tolerance of  $\frac{1}{8}$ "

© CHESNEYS 2022

**CHESNEYS**

HEAD OFFICE:  
194-196 BATTERSEA PARK ROAD, BATTERSEA,  
LONDON  
TELEPHONE: +44 (0) 20 7627 1410  
WEB SITE: WWW.CHESNEYS.CO.UK  
E MAIL: SALES@CHESNEYS.CO.UK

SURROUND:

THE LUNA

ROOM:

MATERIAL:

FINISH:

NOTE:

MANTEL WEIGHTS:

DRAWN BY:

JC

DATE:

30/06/2023

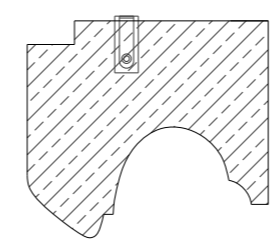
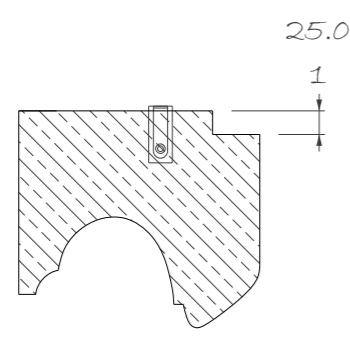
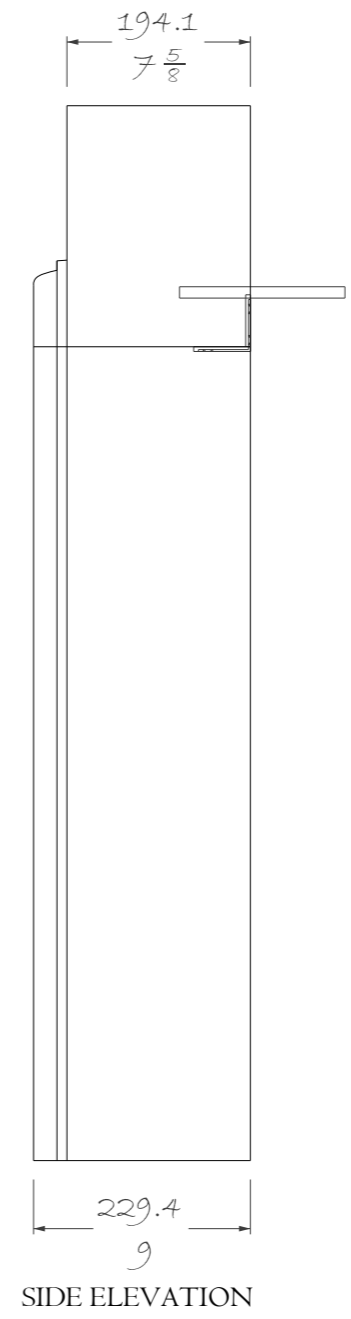
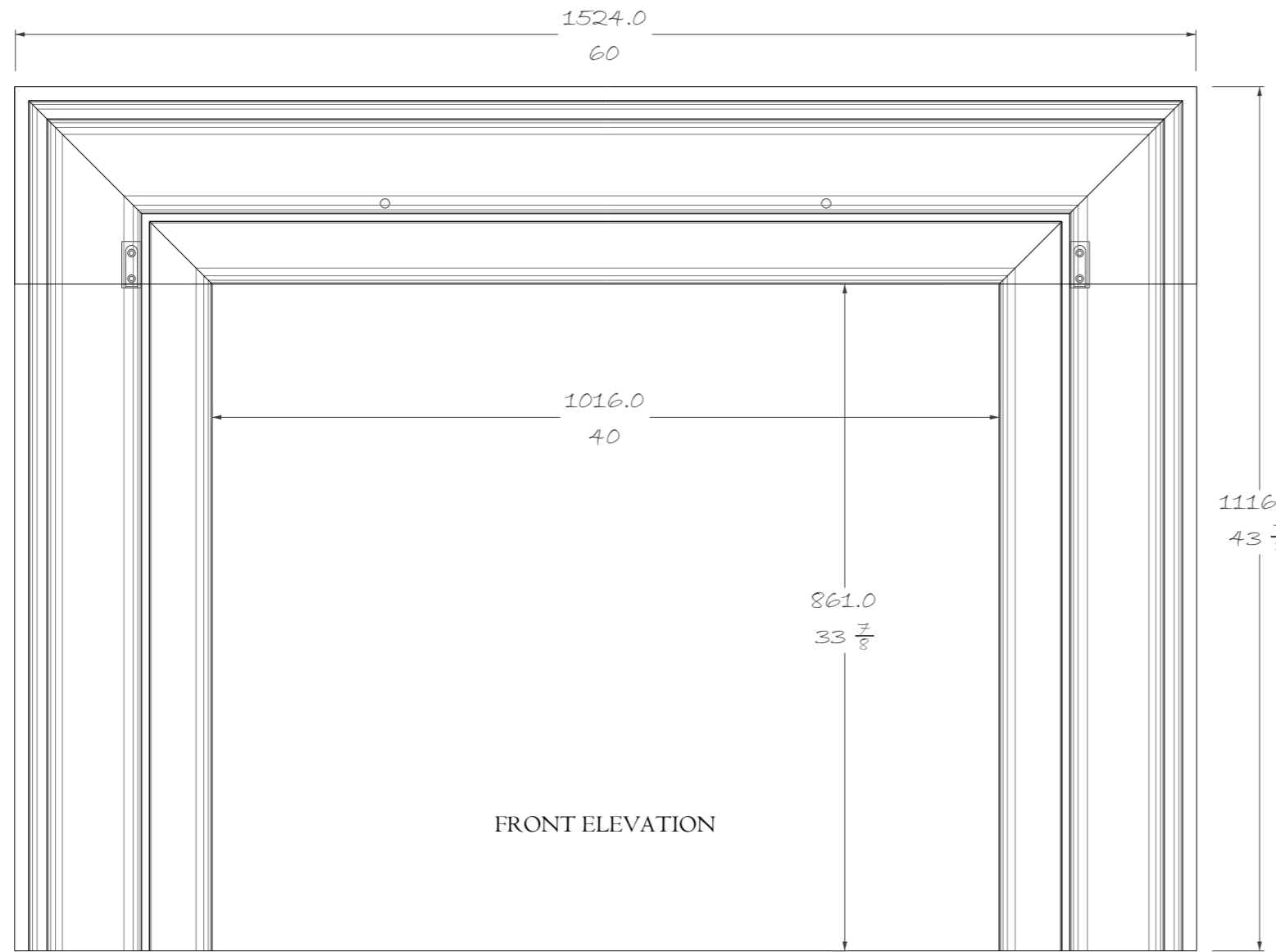
SCALE:

1:8 @ A3



INVOICE NUMBER:

DRAWING NO.:

REV:



**BRACKETS & DOWELS CHART**

	X 2 PIECES
	X 2 PIECES (175 MM X 8 MM)

CLIENT: <b>LUNA</b>	
CDM Regulations - Design Risk Assessment The size and shape of individual stones for this project have been designed to satisfy the overall design requirements for the building, bill of quantities or specific project specification. All persons handling and installing such stones should be aware that there are risks associated with this type of work, which cannot be designed out. Limestones & Marble are a natural material and may vary in texture, color and veining intensity. Please consider a dimensional tolerance of $\frac{1}{8}$ "	
© CHESNEYS 2022	
<b>CHESNEYS</b> HEAD OFFICE: 194-196 BATTERSEA PARK ROAD, BATTERSEA, LONDON TELEPHONE: +44 (0) 20 7627 1410 WEB SITE: WWW.CHESNEYS.CO.UK E MAIL: SALES@CHESNEYS.CO.UK	
SURROUND: <b>THE LUNA</b>	
ROOM:	
MATERIAL:	
FINISH:	
NOTE:	
MANTEL WEIGHTS:	
DRAWN BY: <b>JC</b>	
DATE: 30/06/2023	SCALE: 1:8 @ A3
INVOICE NUMBER:	
DRAWING NO.:	REV: