

# CHESNEYS

## **SMOKELESS FIRE PIT STANDARD & LARGE**

### INSTALLATION & USER MANUAL

**[www.chesneys.co.uk](http://www.chesneys.co.uk)**

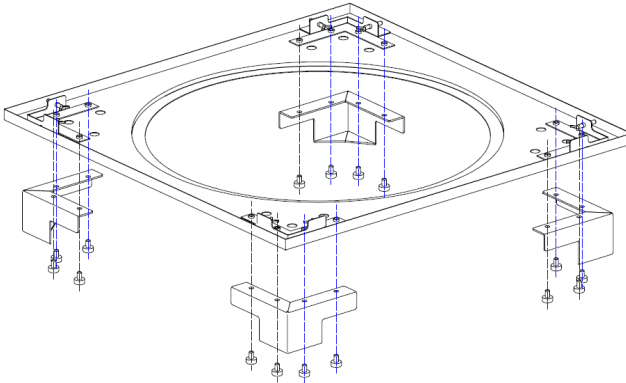
## **Safety Information**

1. Do not use your Chesneys Smokeless Fire Pit until you have read all Safety Information and the Assembly Instructions.
2. Always ensure that you use your Chesneys Smokeless Fire Pit in accordance with manufacturer's instructions and all local regulations.
3. You must exercise the same precautions you would with any open fire.
4. Chesneys Smokeless Fire Pits are for outdoor use only and should not be used indoors or any enclosed space. Toxic carbon monoxide can accumulate and cause asphyxiation and possibly death.
5. The surfaces of your Chesneys Smokeless Fire Pits can become extremely hot when in use. To avoid burns and serious injury, never attempt to touch or move your fire pit during use or before it has completely cooled down.
6. Never leave your Chesneys Smokeless Fire Pit unattended when in use.
7. Chesneys Smokeless Fire Pits must not to be operated by children.
8. You must only burn fuels approved for use as stated by the manufacturer.
9. Do not alter or adapt the product in any manner – it must be assembled and used as per the manufacturer's instructions.
10. Do not use your Chesneys Smokeless Fire Pit in any potentially hazardous environments.
11. Do not store any flammable liquids or vapours in the vicinity of your Chesneys Smokeless Fire Pit.
12. Keep the immediate area around your Chesneys Smokeless Fire Pit clear and free of any combustible materials or flammable substances.
13. Do not wear flammable or loose clothing when operating your Chesneys Smokeless Fire Pit.
14. Do not lean over your Chesneys Smokeless Fire Pit when lighting or in use.
15. Do not use your Chesneys Smokeless Fire Pit under any overhead or unprotected combustible structures/constructions.
16. Do not use your Chesneys Smokeless Fire Pit near or in any vehicle.
17. Avoid using your Chesneys Smokeless Fire Pit under or near overhanging trees or shrubs.
18. Only use your Chesneys Smokeless Fire Pit on a level surface.
19. When used correctly the Chesneys Smokeless Fire Pit can be used on wood or composite decking. Be sure to check the manufacturer's guidelines of the surface you plan to use your Chesneys Smokeless Fire Pit are suitable as materials can differ in quality and heat resistance ratings.
20. Never leave your Chesneys Smokeless Fire Pit unattended while cooling down as hot ashes can reignite.
21. Do not use your Chesneys Smokeless Fire Pit in windy conditions.
22. Do not attempt to cover your Chesneys Smokeless Fire Pit until the fire is extinguished and has completely cooled.
23. Never touch the ash to see if it is still hot.
24. Do not attempt to remove ash or clean your Chesneys Smokeless Fire Pit until the fire is extinguished and it has completely cooled.
25. You must clean and inspect your Chesneys Smokeless Fire Pit regularly after use.
26. Avoid breathing smoke from the fire and getting smoke in your eyes.
27. Keep all electrical cables and devices away from your Chesneys Smokeless Fire Pit.
28. Do not use any flammable liquids to light or relight your Chesneys Smokeless Fire Pit.
29. Do not use water to extinguish the fire as this could cause damage to your Chesneys Smokeless Fire Pit or injury to the user.
30. After a period of non-use you must check your Chesneys Smokeless Fire Pit for signs of damage and creosote buildup. Do not operate if there are visible signs of damage that could compromise its correct operation and function.
31. To avoid serious injury, death and/or property damage you must use your Chesneys Smokeless Fire Pit in accordance with the manufacturer's instructions.

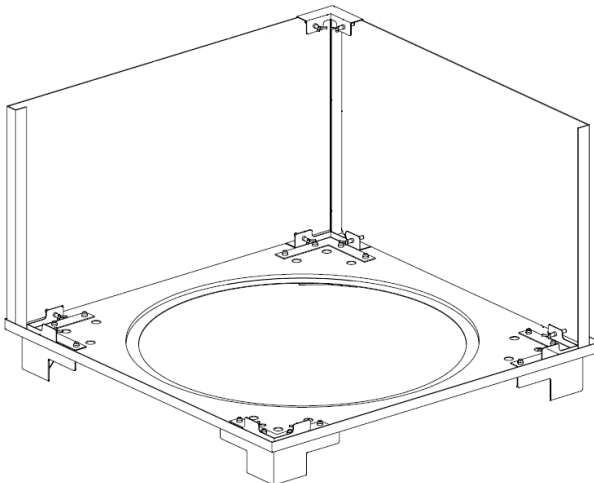
- Please note this is recommended to be a two-person assembly process.
- The Fire Pit should be assembled in the positioned where it will be situated when in use.

1. Attach the 4x feet to the base plate using the screws provided.

**IMPORTANT – NEVER OPERATE THE APPLIANCE WITHOUT THE FEET ATTACHED**

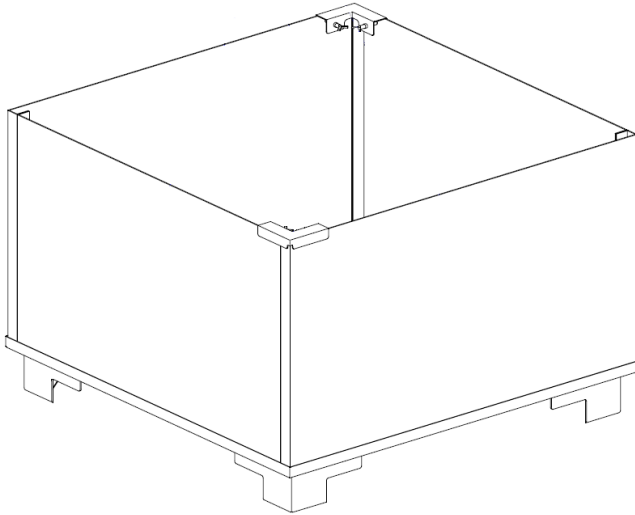


2. Place 1x long panel and 1 x short panel at 90 degrees to one another in the locating bracket on the base plate. Secure the panels in place by fitting the top angle bracket\*. Tighten the fasteners top and bottom until secure. Do not overtighten.

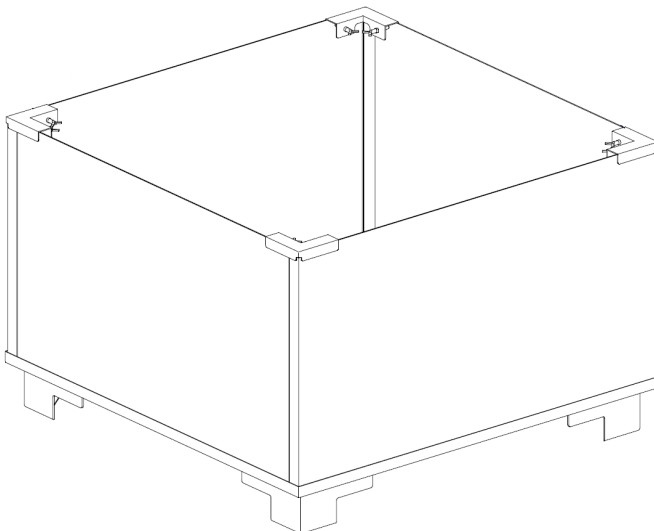


\* When using teak panels replace the screws in the top angle brackets with the shorter screws provided.

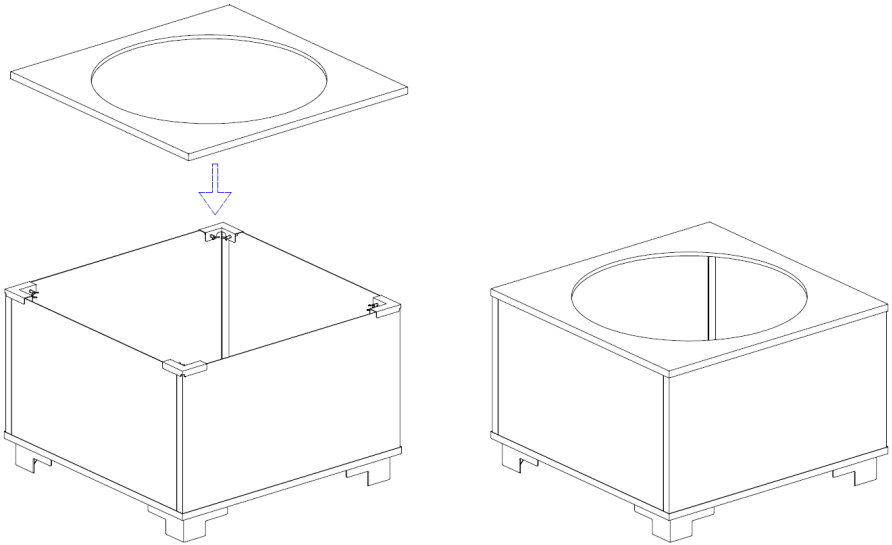
3. Assemble the remaining panels by repeating the previous stage. Adjust the panels so there is an even gap between each panel and secure using the fasteners.



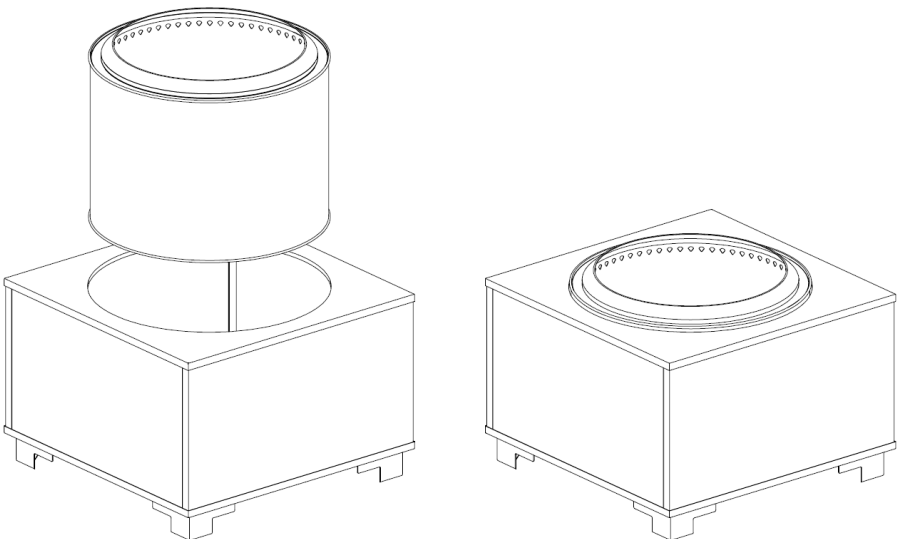
4. Fit the remaining 2x top angle brackets.



5. Place the counter top securely in position ensuring the top angle brackets are covered by the counter top



6. Place the fire pit burner through the hole in the countertop in the location groove in the centre of the base plate



## WARRANTY

A one year warranty is provided in respect of the structural integrity of the cylindrical Fire Pit. The warranty covers defects in materials and workmanship. The Fire Pit has been manufactured using quality materials to resist corrosion as much as possible and use of specialist paint for metal surfaces suitable for high temperatures and outdoor use. Painted surfaces can be affected by exposure to external factors such as chlorine, chemicals, humidity and salt. The finish will be compromised by surface scratches and abrasions. The warranty does not cover rusting, oxidation, blemishes or fading. Exposure to the elements including sun, rain, wind and snow will result in some degree of corrosion and wear and tear but these effects can be minimised if the weather resistant cover is used whenever the unit is not in use. Please note that units located within 10 miles of coastal areas will be subject to increased moisture and salt levels and more frequent maintenance will be required.

## DISPOSAL/RECYCLING

After the product life of the appliance has expired, please ensure that the items are disposed of correctly. Parts will need to be separated out into material groups before disposal. An appliance will be made up of the following materials: stainless steel, steel and timber (only for appliances with Teak panels)

Make sure you use suitable gloves when handling any sharp metal. Seek assistance or a professional disposal service if the item is too heavy for you to handle.

Always dispose of these items in the most sustainable way possible, and in a way which is in line with current environmental protection/regulations and any recycling, reprocessing or disposal technologies.