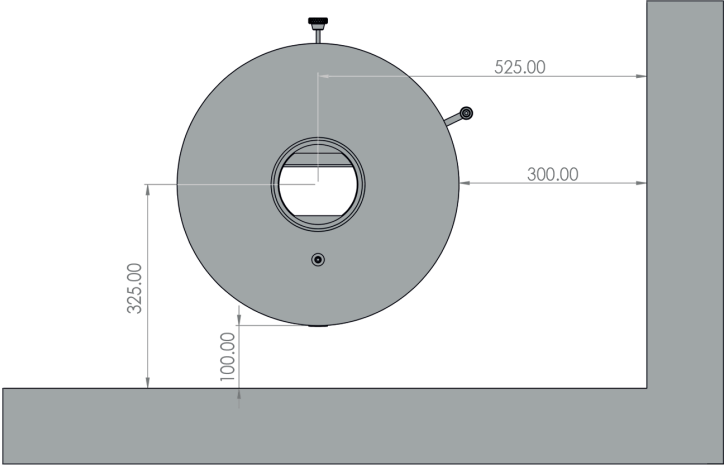
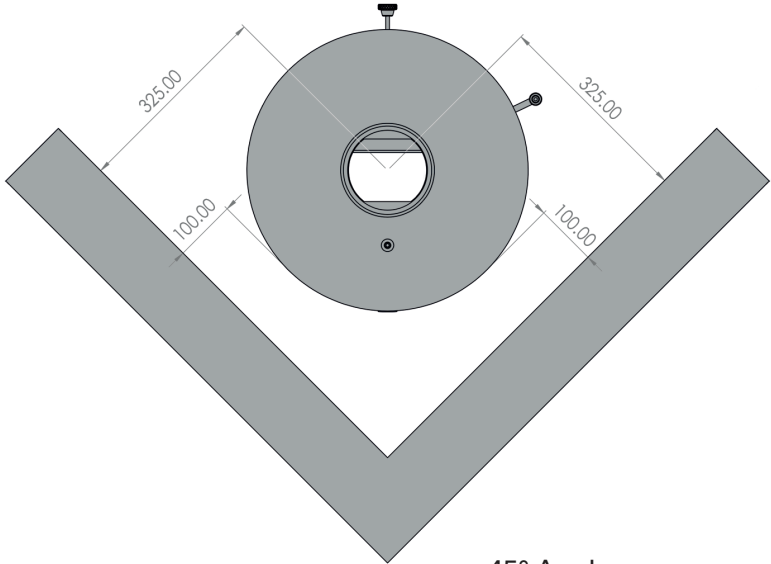


THE SOLSTICE RANGE CLEARANCE TO COMBUSTIBLES

Position of the Solstice shown against a 90° and 45° angled wall



90° Angle



45° Angle