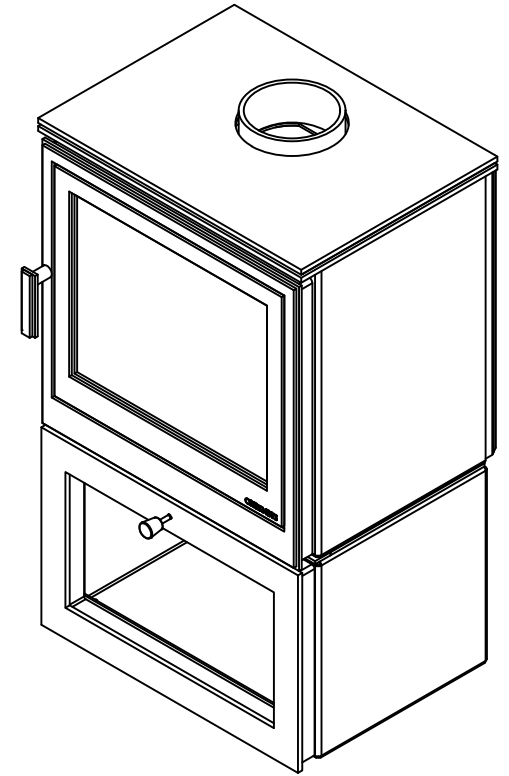
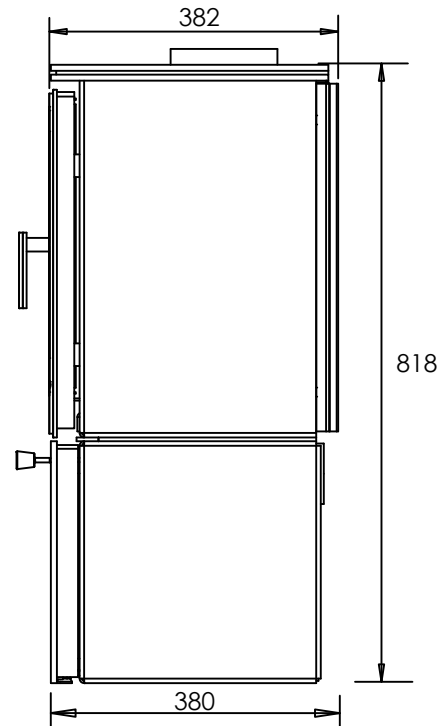
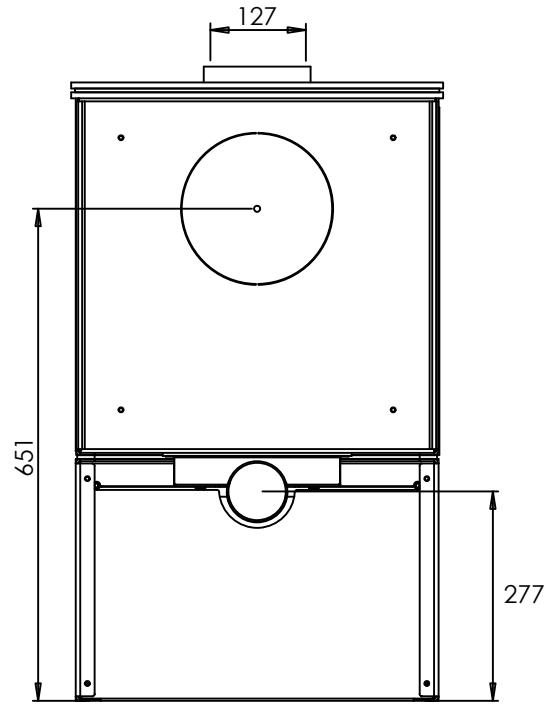
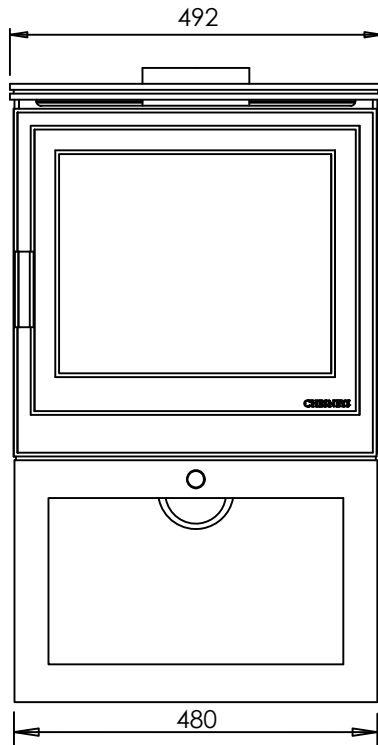
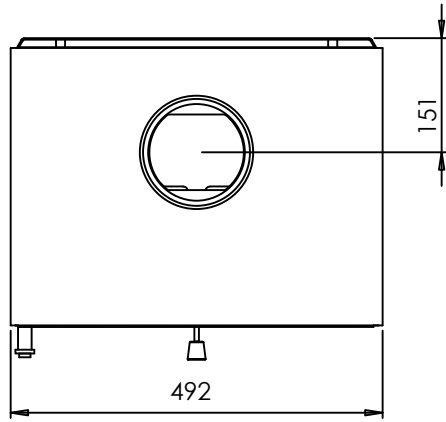


MINIMUM RECOMMENDED FLUE HEIGHT 3m WITH FLUE DRAUGHT OF 12 PASCALS  
INSIDE THE FLUE OR 9 PASCALS AT THE TEST POINT AT THE TOP OF THE FLUE.



PLEASE NOTE  
CLEARANCE TO COMBUSTIBLES:  
REAR 200mm (100mm if using an insulated flue)  
SIDES 400mm

# CHESNEYS

## SHOREDITCH 5WS LS MK3

HEAT RANGE: 3.5kW-7kW	NOM. HEAT OUTPUT: 4.9kW
NET EFFICIENCY: 86.4%	FLUE OUTLET: 127MM
WEIGHT: 150KG	SCALE: 1:10 @A4