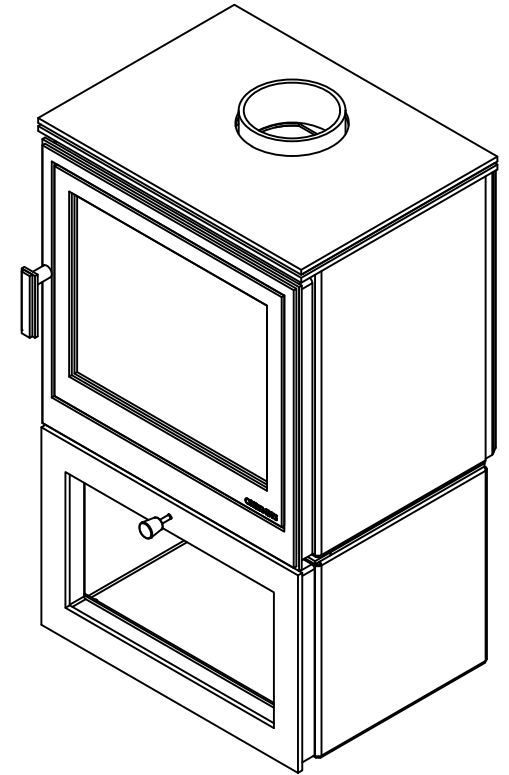
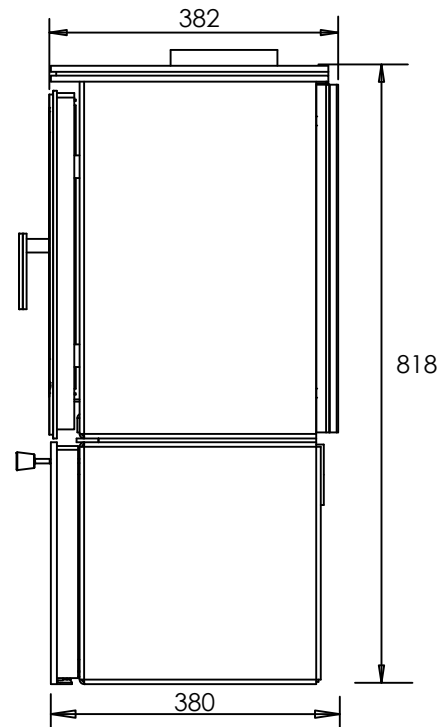
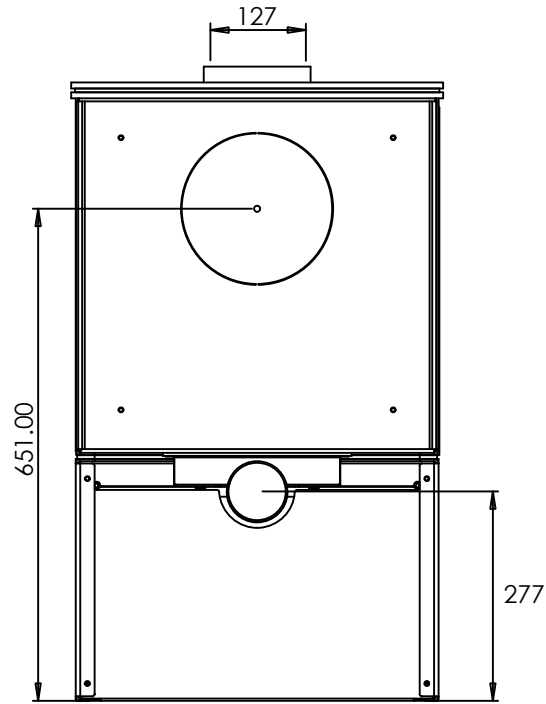
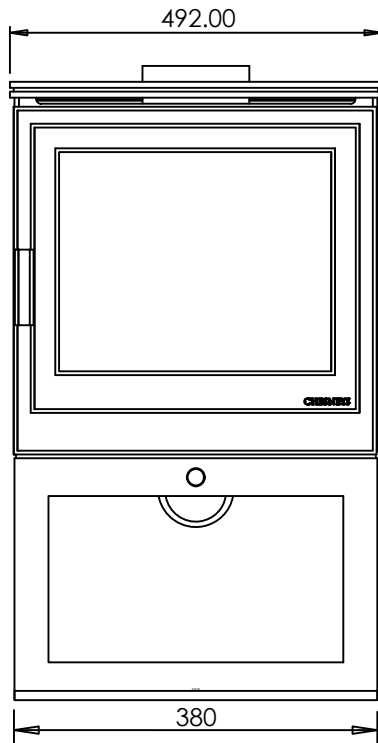
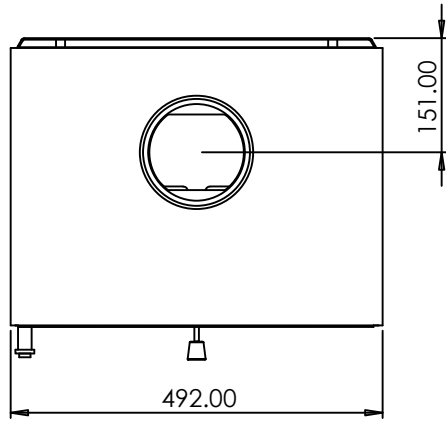


MINIMUM RECOMMENDED FLUE HEIGHT 3m WITH FLUE DRAUGHT OF 12 PASCALS
INSIDE THE FLUE OR 9 PASCALS AT THE TEST POINT AT THE TOP OF THE FLUE.



PLEASE NOTE
CLEARANCE TO COMBUSTIBLES:
REAR 200mm (100mm if using an insulated flue)
SIDES 400mm

CHESNEYS

SHOREDITCH 5WS LS MK3

HEAT RANGE: 3.5kW-7kW

NOM. HEAT OUTPUT: 4.9kW

NET EFFICIENCY: 86.4%

FLUE OUTLET: 127MM

WEIGHT: 150KG

SCALE: 1:10 @A4