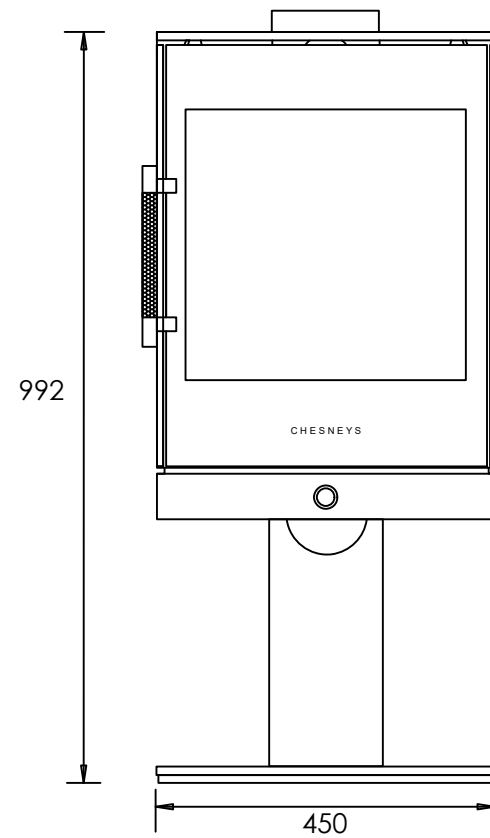
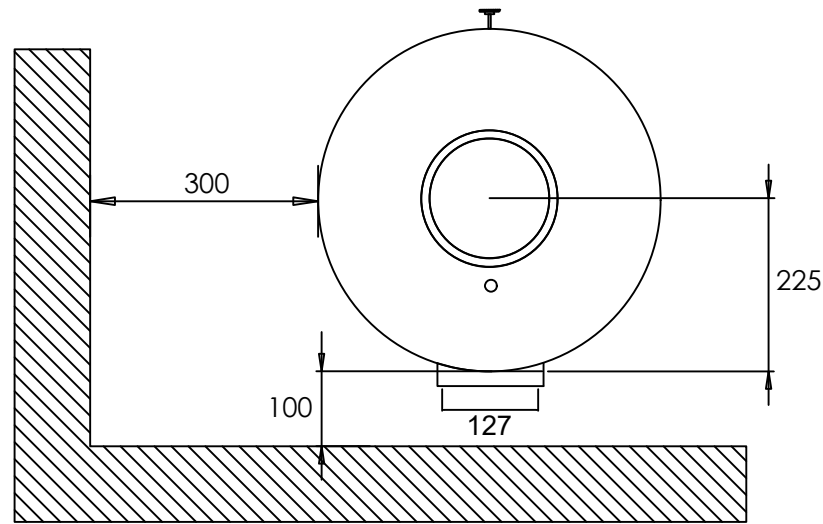
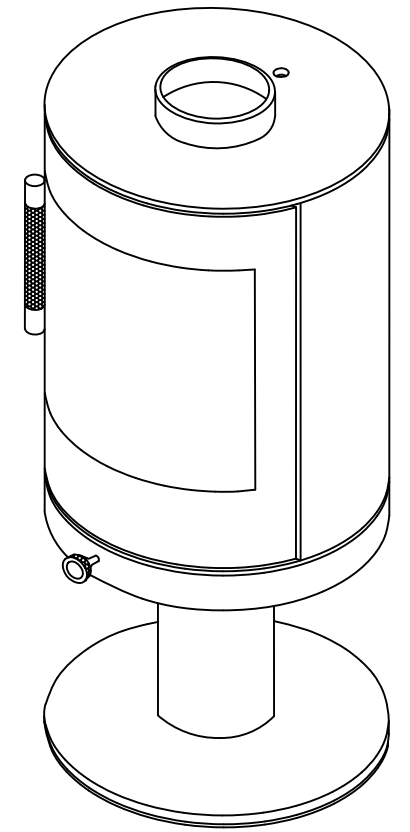
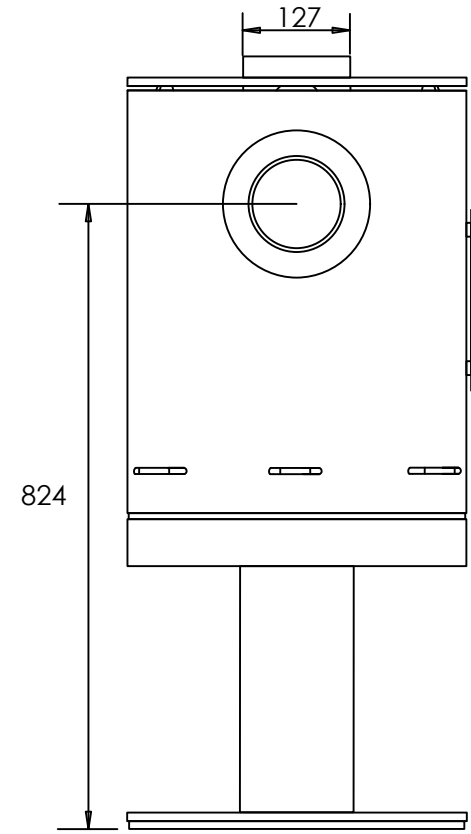
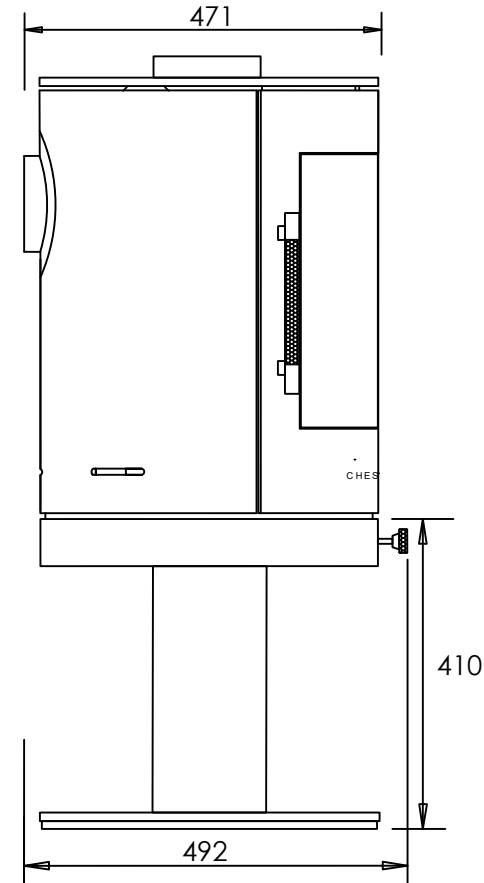
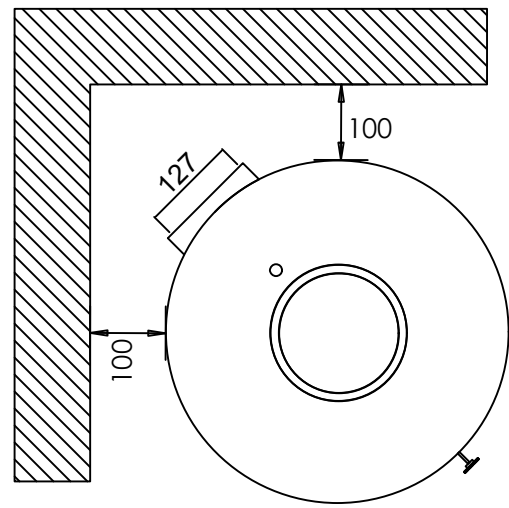


A3



MINIMUM RECOMMENDED FLUE HEIGHT 3m WITH FLUE DRAUGHT OF 12 PASCALS INSIDE THE FLUE OR 9 PASCALS AT THE TEST POINT AT THE TOP OF THE FLUE.

PLEASE NOTE
 CLEARANCE TO COMBUSTIBLES:
 REAR 100mm SIDES 300mm
 See plans on the left for more details

CHESNEYS	
SOLSTICE 5WS PED MK3	
HEAT RANGE: 3.5kW-7kW	NOM. HEAT OUTPUT: 4.8kW
NET EFFICIENCY: 75.2%	FLUE OUTLET: 127MM
WEIGHT: TBC	SCALE: 1:10 @A3