

CLIENT:

CDM Regulations - Design Risk Assessment

The size and shape of individual stones for this project have been designed to satisfy the overall design requirements for the building, bill of quantities or specific project specification.

All persons handling and installing such stones should be aware that there are risks associated with this type of work, which cannot be designed out.

Limestones & Marble are a natural material and may vary in texture, color and veining intensity. Please consider a dimensional tolerance of 1/8"

Important: All modular stone/marble fireplace's primary fix must be on a structural brick or block wall using a suitable high bond adhesive. In all instances, these must also be securely mechanically fixed.

© CHESNEYS 2022

CHESNEYS

HEAD OFFICE:
194-196 BATTERSEA PARK ROAD, BATTERSEA, LONDON
TELEPHONE: +44 (0) 20 7627 1410
WEB SITE: WWW.CHESNEYS.CO.UK
E MAIL: SALES@CHESNEYS.CO.UK

SURROUND:

THE MERCURY

AREA:

MATERIAL:

CLASSICO AND ANTIQUE BRASS

FINISH:

HONED

SPECIAL NOTES:

MANTEL WEIGHTS:

JAMB / EACH: 52KG - 115LB
HEADER: 98KG - 215LB
TOTAL: 202KG - 446LB

MANTEL M3:

JAMB / EACH: 0.0193M3
HEADER: 0.0360M3
TOTAL: 0.0746M3

DRAWN BY:

JC

DATE:

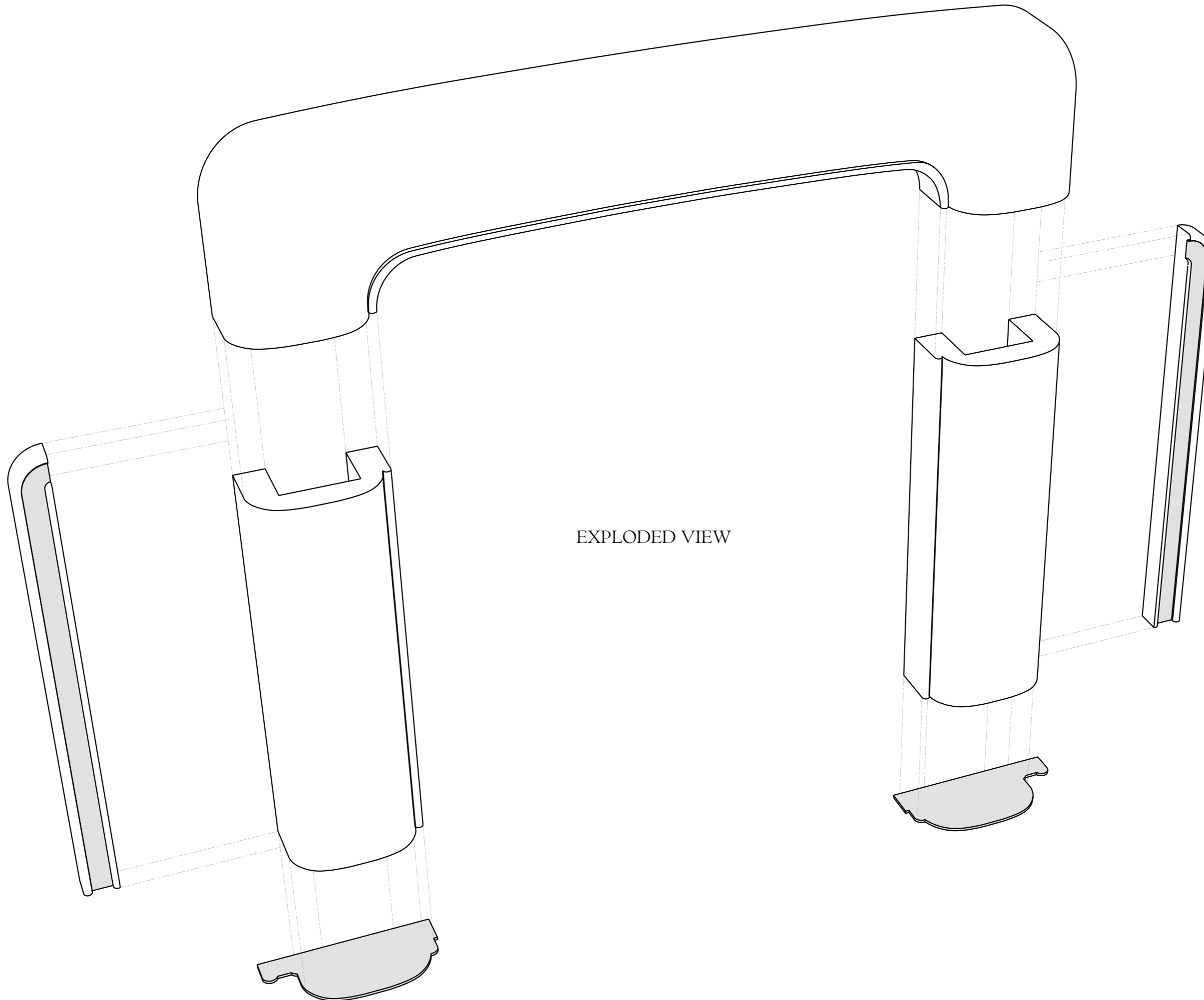
SCALE:

1:8 @ A3

INVOICE NUMBER:

DRAWING NO.:

REV:



EXPLODED VIEW

CLIENT:

CDM Regulations - Design Risk Assessment

The size and shape of individual stones for this project have been designed to satisfy the overall design requirements for the building, bill of quantities or specific project specification.

All persons handling and installing such stones should be aware that there are risks associated with this type of work, which cannot be designed out.

Limestones & Marble are a natural material and may vary in texture, color and veining intensity.

Please consider a dimensional tolerance of $\frac{1}{8}$ "

Important: All modular stone/marble fireplace's primary fix must be on a structural brick or block wall using a suitable high bond adhesive. In all instances, these must also be securely mechanically fixed.

© CHESNEYS 2022

CHESNEYS

HEAD OFFICE:
194-196 BATTERSEA PARK ROAD, BATTERSEA, LONDON
TELEPHONE: +44 (0) 20 7627 1410

WEB SITE: WWW.CHESENEYS.CO.UK
E MAIL: SALES@CHESNEYS.CO.UK

SURROUND:

THE MERCURY

AREA:

MATERIAL:

CLASSICO AND
ANTIQUÉ BRASS

FINISH:

HONED

SPECIAL NOTES:

MANTEL WEIGHTS:

JAMB / EACH: 52KG - 115LB

HEADER: 98KG - 215LB

TOTAL: 202KG - 446LB

MANTEL M3:

JAMB / EACH: 0.0193M3

HEADER: 0.0360M3

TOTAL: 0.0746M3

DRAWN BY:

JC

DATE:

SCALE:

1:8 @ A3

INVOICE NUMBER:

DRAWING NO.:

REV.: