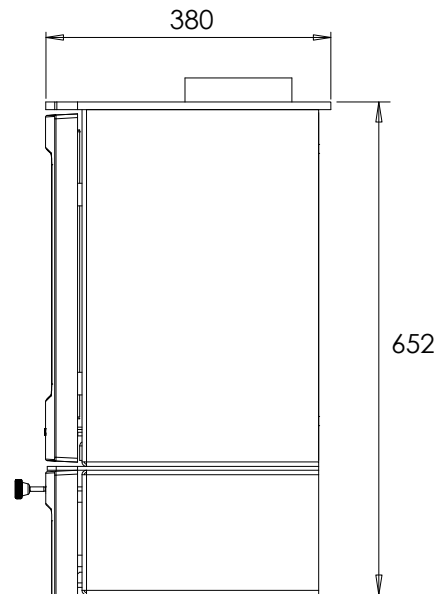
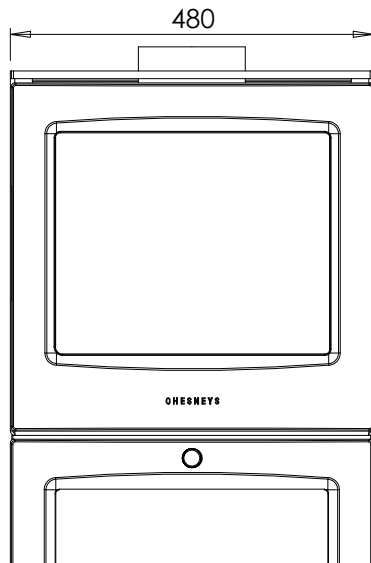
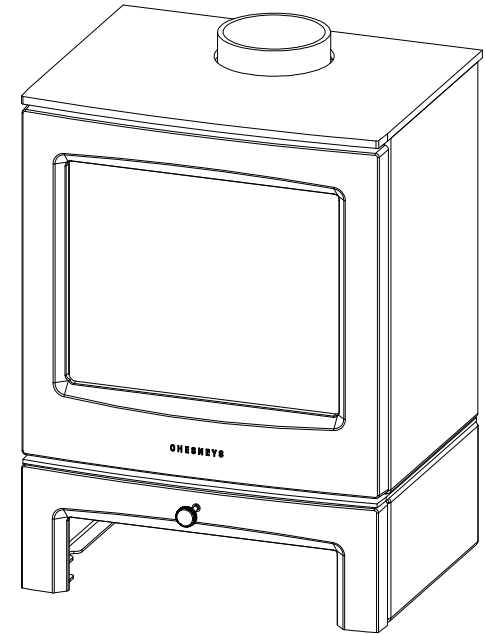
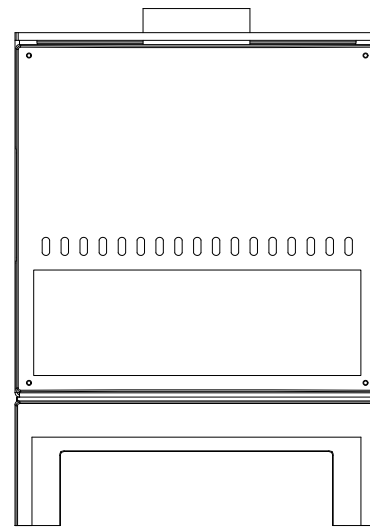
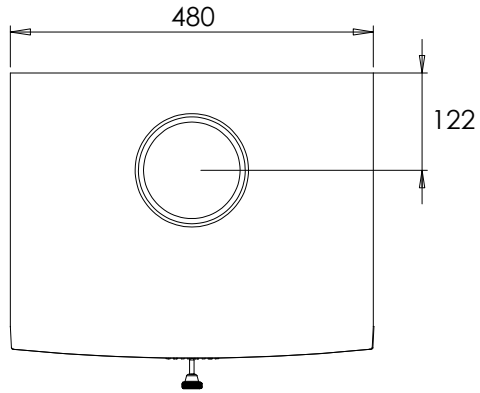


A4



PLEASE NOTE  
 CLEARANCE TO COMBUSTIBLES:  
 REAR 150mm, SIDES 150mm. ABOVE 200mm  
 SHELF HEIGHT ABOVE APPLIANCE 300mm

# CHESNEYS

## SANCTUARY GAS STOVE

|                          |                           |
|--------------------------|---------------------------|
| HEAT INPUT (HIGH): 6.9kW | HEAT OUTPUT (HIGH): 5.3kW |
| HEAT INPUT (LOW): 3.5kW  | HEAT OUTPUT (LOW): 2.5kW  |
| EFFICIENCY RATING: 84%   | FLUE OUTLET: 5"           |
| ENERGY RATING 'A'        | SCALE: 1:10 @A4           |

MINIMUM CLEARANCE TO BE STRICTLY MAINTAINED AT REAR OF THE APPLIANCE TO NONCOMBUSTIBLE IS 50mm FOR CORRECT OPERATION AND AIR FLOW.  
 IF THIS IS NOT ACHIEVABLE THE APPLIANCE MUST NOT BE INSTALLED!