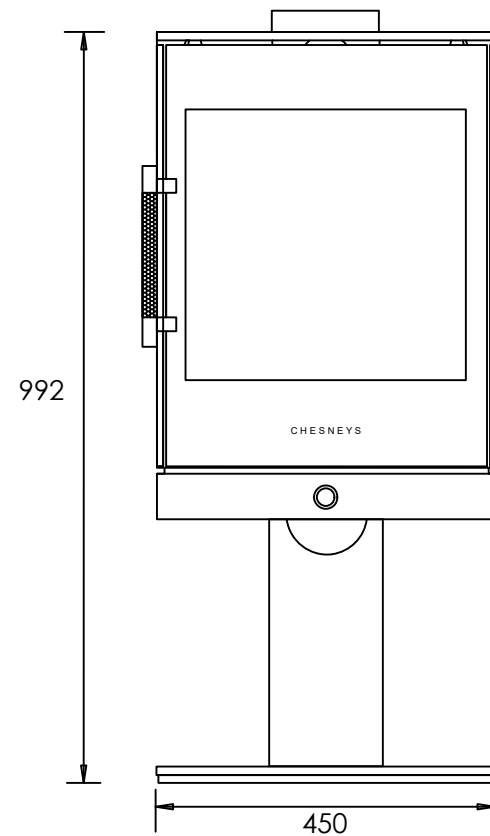
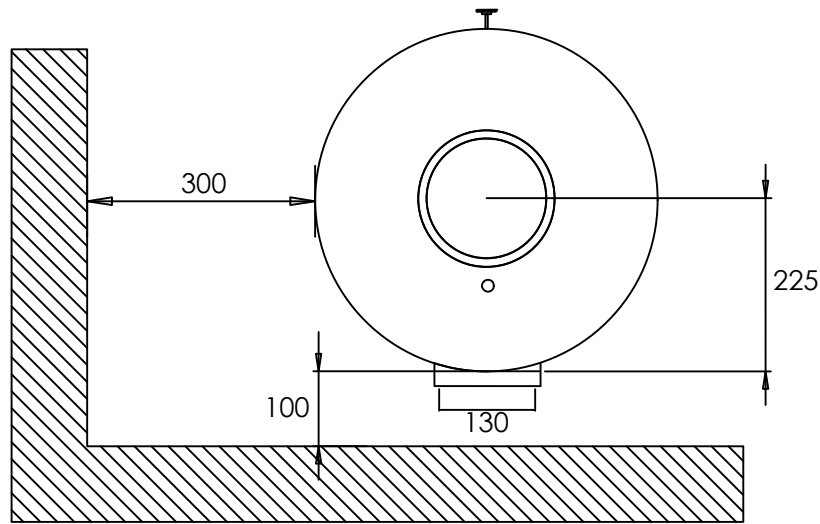
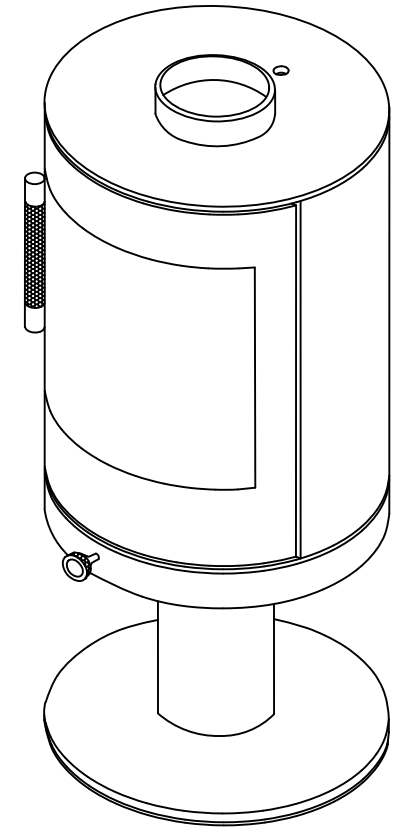
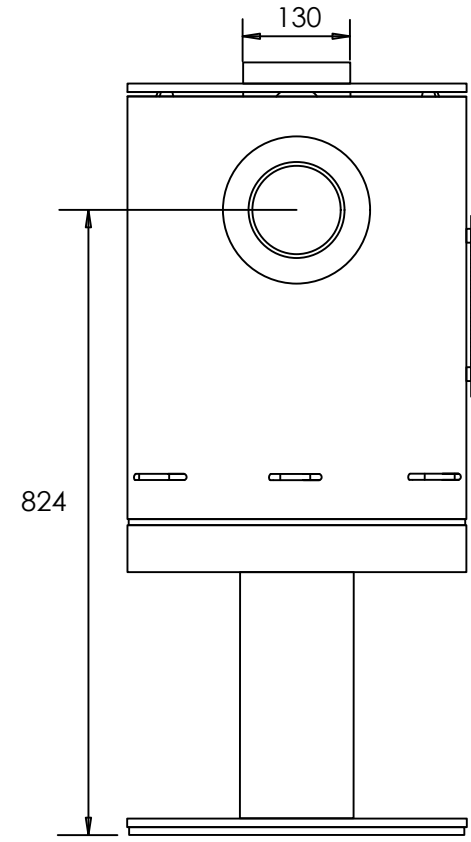
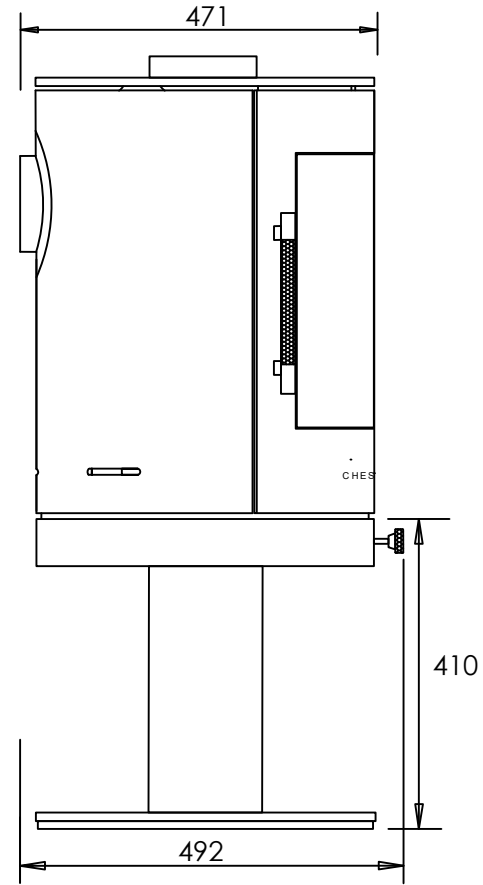
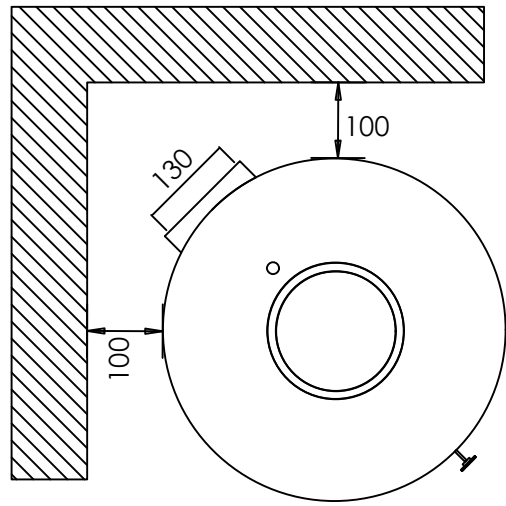


# A3



PLEASE NOTE  
 CLEARANCE TO COMBUSTIBLES:  
 REAR 100mm SIDES 300mm  
 See plans on the left for more details

## CHESNEYS

SOLSTICE 5WS PED MK3

HEAT RANGE: 3.5kW-7kW	NOM. HEAT OUTPUT: 4.8kW
NET EFFICIENCY: 75.2%	FLUE OUTLET: 5" / 130mm
WEIGHT: 126	SCALE: 1:10 @A3

MINIMUM RECOMMENDED FLUE HEIGHT 3m WITH FLUE DRAUGHT OF 12 PASCALS INSIDE THE FLUE OR 9 PASCALS AT THE TEST POINT AT THE TOP OF THE FLUE.