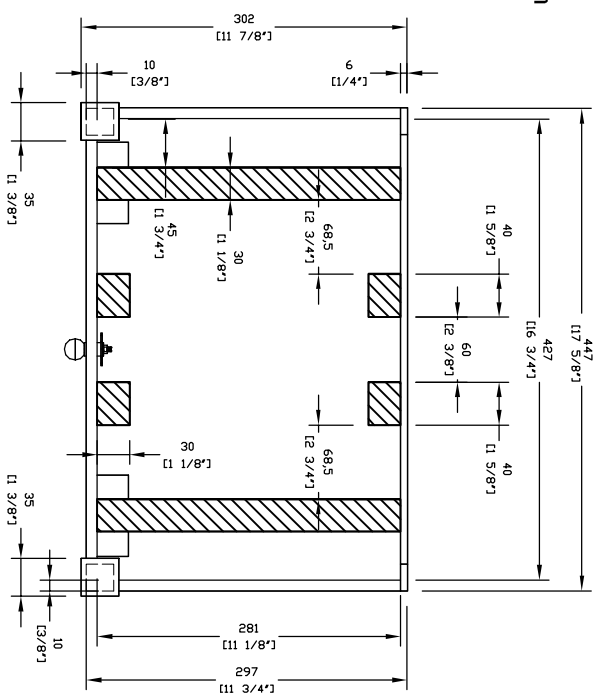
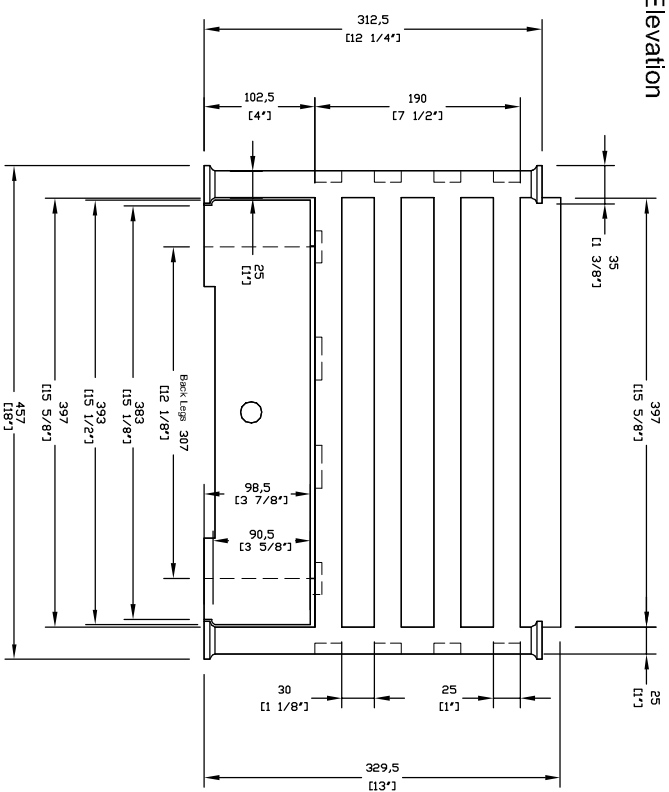


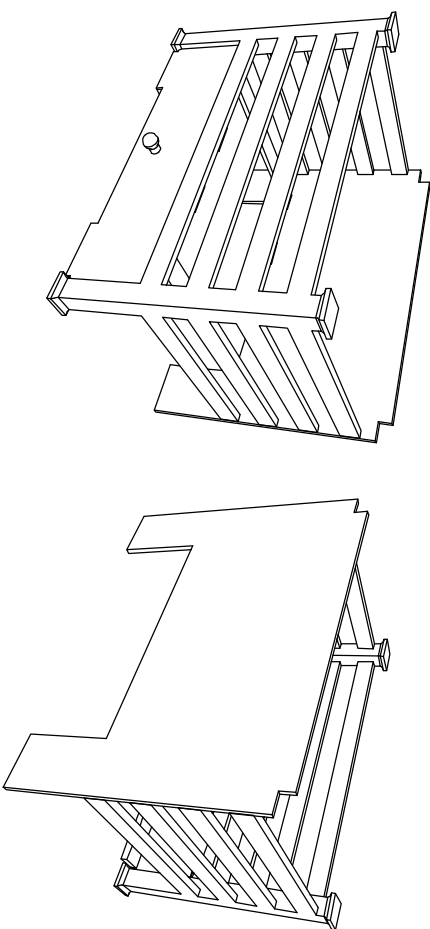
Plan



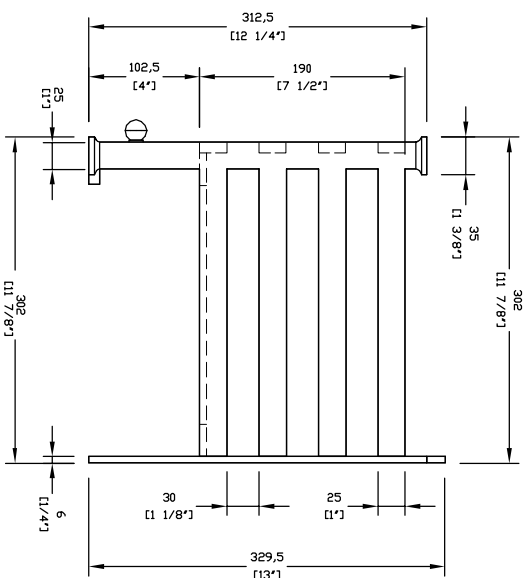
Front Elevation



Perspective View



Side Elevation



Anhurst Fire Basket 18"
 Drawing No.DGS00062
 Date 30 April 2009