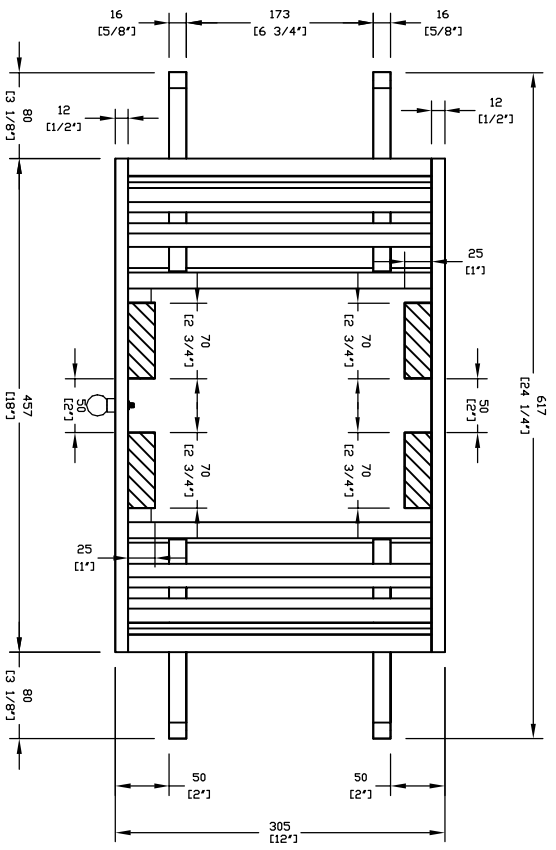


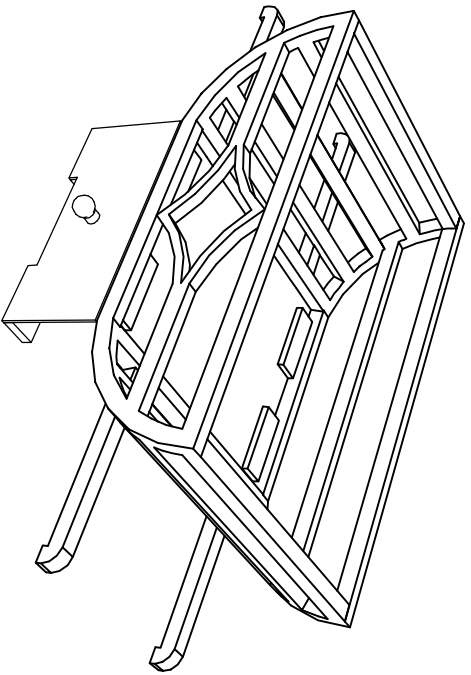
Caxton Fire Basket for Dogs 18"
Drawing No.DGS0046

Date 24 April 2009

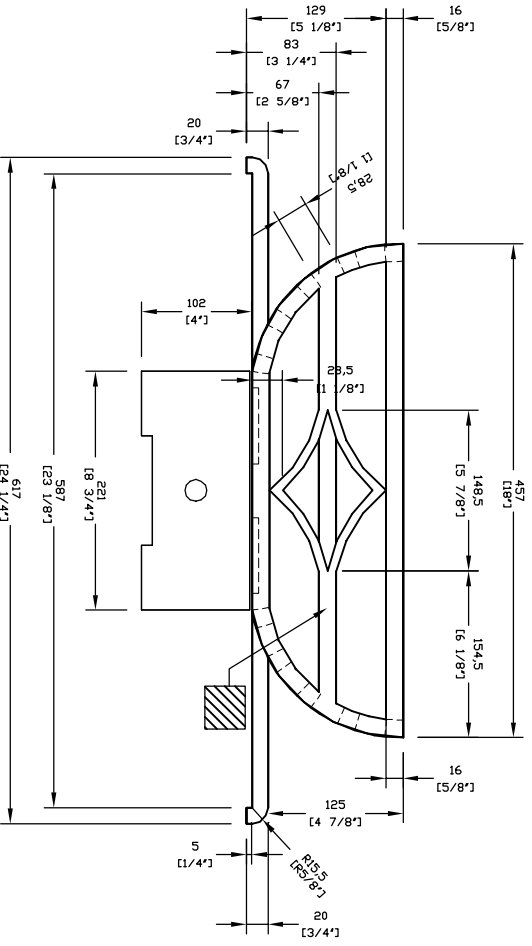
Plan



Perspective View



Front Elevation



Side Elevation

